

# HITACHI

Model V-1050

Oscilloscope

**SERVICE MANUAL**

 **Hitachi Denzhi, Ltd.**

TOKYO, JAPAN

## CONTENTS

1. Specifications .....	1
2. Composition .....	7
3. Preventive Maintenance .....	8
4. Calibration .....	10
4.1 Calibration Interval .....	10
4.2 Test Equipment Required .....	10
4.3 Preliminary Procedure .....	10
4.4 Preliminary Control Settings .....	12
4.5 Initial Starting Procedure .....	12
Power Supply System .....	13
Display .....	14
Horizontal System .....	16
Vertical System .....	20
Triggering System & X-Y Operation .....	24
Calibrator .....	28
5. Disassembly Illustration .....	29
6. Circuit Board Illustration (with Adjustment Locations) ....	31
7. Diagram .....	39
① Schematic Diagram (Vertical Preamplifier) .....	41
② Schematic Diagram (Vertical Output Amplifier & Channel Switch) .....	43
③ Schematic Diagram (Trigger 1/2) .....	45
④ Schematic Diagram (Trigger 2/2) .....	47
⑤ Schematic Diagram (Sweep Generator) .....	49
⑥ Schematic Diagram (Calibrator & Front Panel Controls)..	51
⑦ Schematic Diagram (Horizontal Amplifier, Z-Axis Amplifier & High Voltage Circuits)..	53
⑧ Schematic Diagram (Power Supply) .....	55
⑨ Schematic Diagram (Connectors) .....	57
8. Parts List .....	59
o Electrical Replaceable Parts List .....	59
o Mechanical Replaceable Parts List .....	118



## 1. SPECIFICATIONS

### o CRT

#### Type

Hitachi 150BNB31 rectangular mesh type tube with 20 KV acceleration potential and metal backed phosphor

#### Screen type

P31 phosphor standard

#### Useful screen area

8 × 10 div (div = 10mm)

#### Graticule

Internal graticule with centimeter divisions and 2mm subdivisions along the central axis 10% and 90% lines are indicated. Illumination continuously variable.

#### Focussing

Possible (with automatic focus correction circuit)

Trace rotation Present

Scale illumination Variable

Brightness adjustment Possible

### o Z-AXIS

DC-coupled, positive-going signal decreases intensity: 5Vp-p signal causes noticeable modulation at normal intensity: DC to 3.5MHz.

Input impedance Approximately 15 k ohm

Maximum input voltage 20 V (DC + AC peak)

Coupling DC

### o VERTICAL DEFLECTION (2 Identical Channels)

#### Bandwidth and Rise time

DC to at least 100MHz and rise time 3.5ns or less. DC to

at least 5MHz and rise time 70ns or less at magnifier extends. Lower -3dB point, AC coupling 10Hz or less.

#### Deflection Factor

5mV/div to 5V/div in 10 calibrated steps, 1-2-5 sequence. Uncalibrated continuous control extends deflection factor to at least 12.5 Volts per division in the 5 Volts/div position.  $\times 10$  magnifier increases sensitivity of each deflection factor setting to 500  $\mu$ V/div.

#### Accuracy

+2% (+10°C to +35°C)

+4% (0°C to +50°C)

Additional error for magnifier +1%

#### Display modes

CH1, CH2 (normal or invert), Alternate, Chopped (250kHz rate), Added

#### Input Impedance

1M ohm +1.5% in parallel with 28pF  $\pm$  3pF.

#### Maximum Input Voltage

250V (DC + AC peak) or 500Vp-p AC at 1KHz or less

#### Input coupling

AC-GND-DC

#### Delay Line

Permits viewing leading edge of display waveform.

#### Four-trace Display (TRIG VIEW)

Display simultaneously channel 1, Channel 2, Channel 3 (A EXT TRIG signal), Channel 4 (B EXT TRIG signal).

The deflection factor of Channel 3 and Channel 4 is approximately 200 mV/div.

Sensitivity	INT: 1/1 $\pm$ 30% of screen area
	EXT: 0.2 V/div $\pm$ 30%
Frequency band	EXT: DC to 70 MHz (-3dB)
Position	CH3: Horizontal 100% graticule line of screen $\pm$ 1div (trigger level knob is set at the center).
	CH4: Horizontal 0% graticule line of screen $\pm$ 1div.

o HORIZONTAL DEFLECTION

Time Base A

20ns/div to 0.5s/div in 23 calibrated steps, 1-2-5 sequence. Uncalibrated continuous control extends deflection factor to at least 1.25 seconds per division in the 0.5 sec/div position. x10 mag extends fastest sweep rate to 2ns/div.

Time Base B

20ns/div to 50ms/div in 20 calibrated steps 1-2-5 sequence. x10 mag extends fastest sweep rate to 2ns/div.

Accuracy

$\pm$ 2% (+10°C to +35°C)

$\pm$ 4% (0°C to +50°C)

Additional error for magnifier  $\pm$ 2%

Horizontal Display Modes

A only, A intensified, Alternate, B delayed, X-Y operation.

Delayed sweep position      1 div or less ~ 10 div or more  
adjustment

Delay sweep variable      Present

Delay Time Jitter      Better than 1:20,000

o TRIGGERING A AND B

A Trigger Modes

Automatic, Normal, Single sweep, TV (TV-H or TV-V)

A Trigger Hold-off

Adjustable control permits a stable presentation of repetitive complex waveform.

A Trigger Source

Internal (Ch1, Ch2), Line, External, External  $\div 10$

A Trigger Slope

+ or -

TV Sync Polarity

TV(+) or TV (-)

Triggering level  
variable range

For both A and B. Internal; +4div or more  
External; approximately +1V  
External  $\div 10$ ; approximately +10V

Triggering sensitivity and frequency

For both A and B. However, ( ) is only for B

Frequency	Internal	External	External $\div 10$
DC(30Hz) ~ 10MHz	0.3 div	50 mV	500 mV
10 MHz ~ 100MHz	1.5 div	150 mV	1.5 V

TV-V sensitivity: SYNC section less than 0.7div or 200mV  
AUTO low band : Approximately 30Hz (When Time Base A is 20ns/div to 2ms/div)

A Trigger Coupling

AC : 30Hz to full bandwidth

HF REJ: attenuates signals below approximately 4KHz

LF REJ: attenuates signals above approximately 4KHz

DC : 0 to full bandwidth

A External Trigger Input Impedance

1M ohm +20% in parallel with 28pF +6pF (However, setting HF REJ and LF REJ are not included.)

Maximum Input Voltage

250V (DC + AC peak)

500Vp-p AC at 1KHz or less

B Trigger Modes and Source

Automatic, Normal (Ch1, Ch2, External)

B Trigger Slope

+ or -

Trigger Coupling

AC only; 30Hz to full bandwidth

o X-Y OPERATION (CH1; Horiz, CH2; Vert)

Deflection Factor

Same as vertical deflection

Accuracy

Y:  $\pm 2\%$  (+10°C to +35°C),  $\pm 4\%$  (0°C to +50°C)

X:  $\pm 5\%$  (+10°C to +35°C),  $\pm 7\%$  (0°C to +50°C)

Additional error for magnifier  $\pm 2\%$

X-Bandwidth

DC to at least 2MHz

Phase Error

3° or less from DC to 2MHz

o CALIBRATOR

0.5V $\pm 1\%$  Frequency 1kHz $\pm 1\%$  square wave

Rise time 5 $\mu$ s or less

o OUTPUT SIGNALS

A GATE OUT

TTL OUTPUT (74LS00 with OUTPUT series  
resistance 100 $\Omega$ )





## 2. COMPOSITION

(1) Model V-1050 oscilloscope unit.....	1
(2) Probe (AT-10AE 1.5).....	2
(3) Fuse (2A for 100V and 120V set or 1A for 220V and 240V set).....	1
(4) Screw-driver.....	1
(5) Dust proof cover.....	1
(6) Power supply cord.....	1
(7) Operation Manual.....	1

### 3. PREVENTIVE MAINTENANCE

Preventive maintenance, when performed on a regular basis, can prevent instrument breakdown and may improve the reliability of the oscilloscope. The severity of environment to which this instrument is subjected will determine the frequency of maintenance. A convenient time to perform preventive maintenance is preceding recalibration of the instrument.

#### Disassembly

Remove the 4 screws in the top cover of the instrument. Gently separate the top cover from the instrument and lay aside. Most of the internal parts of the instrument are now accessible.

If access to the front of the circuit boards are necessary, remove the knobs from the external control shafts on the board. Remove the two screws securing the side panel to the Input circuit board and remove the instrument side panel. (See 5. DISASSEMBLY ILLUSTRATION.)

#### Cleaning

The instrument should be cleaned as often as operating conditions require. Accumulation of dirt in the instrument can cause component breakdown.

The covers provide protection against dust in the interior of the instrument. Loose dust accumulated on these covers can be removed with a soft cloth or small brush.

Dirt that remains can be removed with a soft cloth depended in a mild detergent and water solution. Abrasive cleaners should not be used.

Cleaning the interior should only be occasionally necessary. The best way to clean the interior is to blow off the dust with a dry, low-velocity stream of air. A soft-bristle brush or a cotton-tipped applicator is useful for cleaning in narrow spaces or for cleaning more delicate components.

## Visual Inspection

The instrument should be inspected occasionally for such defects as broken connections, improperly seated transistors, damaged circuit boards, and heat-damaged parts. The corrective procedure for most visible defects is apparent; however, particular care must be taken if heat-damaged components are found. Overheating usually indicates other trouble in the instrument; therefore, correcting the cause of the overheating is important to prevent recurrence of the damage.

#### 4. CALIBRATION.

Hitachi Denshi, Ltd. provides complete instrument repair and recalibration at our oversea's office, and authorized dealer. Contact your local Hitach Denshi, Ltd. office or representative.

##### 4.1 CALIBRATION INTERVAL

To maintain instrument accuracy, perform the calibration of the V-1050 at least every 1000 hours of operations or every six month if used infrequently.

##### 4.2 TEST EQUIPMENT REQUIRED

The following test equipment and accessories, or equivalent, are required for the complete calibration of the V-1050. The given specifications for the test equipment are the minimum necessary for accurate calibration. Therefore, the specifications of any test equipment used must meet or exceed the listed specifications. All the test equipment is assumed to be correctly calibrated and operating within the listed specification. Operating instructions for the test equipment are not given in this procedure. Refer to the instruction manual for the test equipment if more information is needed.

##### 4.3 PRELIMINARY PROCEDURE

This instrument should be calibrated at an ambient temperature of +20°C (+5°C) for best overall accuracy.

1. Connect the instrument to AC line voltage, 50/60/400 Hz line source.
2. Set the instrument controls as given in the Preliminary Control Settings. Allow at least fifteen minutes of warmup before proceeding.
3. See the Adjustment Locations in the pullout pages.

Table 4-1  
TEST EQUIPMENT REQUIRED

Description	Minimum Specification	Usage	Examples of Applicable Test Equipment
1. Constant Amplitude Signal Generator	50kHz reference frequency; maximum frequency 150MHz; variable amplitude.	Check horizontal, vertical and trigger bandwidth.	
2. Standard Amplitude Calibrator	Amplitude accuracy: 0.25%, variable amplitude; 5mV to 40 V; frequency: 1 kHz square wave.	Check horizontal and Vertical gain.	
3. Square-wave Generator	Variable frequency: 10 Hz to 1 MHz; output amplitude; 10 mV to 100 V.	Check probe and vertical compensation.	
4. Digital Multimeter	0.1% accuracy.	Check power supply.	
5. Digital Frequency Counter	0.1% accuracy.	Check CAL frequency.	
6. Time Mark Generator	0.1% accuracy .	Check horizontal timing.	
7. Cable	Impedance, 50 ohms; type, RG-58/U; length, 42 inches, connectors, BNC	External trigger operation check. Horizontal gain check and adjustment.	Hitachi Part No.4202
8. Termination	Impedance, 50 ohms; connectors, BNC	Vertical Amplifier compensation checks and adjustment.	
9. Attenuator	Ratio, 10X; connectors, BNC; impedance, 50 ohms.	Vertical Amplifier bandwidth check.	
10. T-Connector	Connectors, BNC.	External trigger operation checks.	Hitachi Part No.1301

#### 4.4 PRELIMINARY CONTROL SETTINGS

Preset the instrument controls to the settings given below, when starting the calibration procedures.

FOCUS	Midrange	<input type="checkbox"/> FINE	Midrange
TRACE ROTATION	As desired	VAR HOLD OFF	Fully counterclockwise
V. POSITION	Midrange, push in	<input type="checkbox"/> SWP VAR	Fully clockwise, push in
V. VARIABLE	CAL, fully clockwise	DISPLAY	A
AC-GND-DC	GND		- B TRIG -
VOLTS/DIV	5mV/DIV	SOURCE	AUTO
V. MODE	CH1	LEVEL	Midrange, push in
TRIG VIEW	Normal (Button Out)		- A TRIG -
INV	Normal (Button Out)	LEVEL	Midrange, push in
SCALE ILLUM	Fully counterclockwise	RESET	Normal
H. POSITION	Midrange	MODE	Auto
<input type="checkbox"/> PULL X10 MAG	Midrange, push in	COUPLING	AC
TIME/DIV A	1mS	SOURCE	CH1
DLY TIME MULT	Midrange		

#### 4.5 INITIAL STARTING PROCEDURE

1. Rotate POWER/INTENSITY control to the midrange.
2. Wait a few seconds for the cathode ray tube (CRT) to warm up. A trace should appear on the display of the CRT.
3. If trace disappears, increase (clockwise) the POWER/INTENSITY control setting until the trace is easily observed, or roughly check/adjust the DC balance to get a trace as same as 15
4. Adjust FOCUS control for the best focused display.
5. Readjust POSITION controls if necessary, to center the trace.

## POWER SUPPLY SYSTEM

### NOTE

Before you begin, see ADJUSTMENT LOCATIONS in the pullout pages.

### Control Settings

Preset the controls as given in the Preliminary Control Setting.

- ① Check Low-voltage Supply, if necessary
  - a. Connect the digital voltmeter (DVM) from the +12 volt line.  
: +11.975 V to +12.025 V (P1104-3)
  - b. Connect the DVM from the -12 V line  
: -11.75 V to -12.25 V (P1104-5)
  - c. Connect the DVM from the +5V line  
: +4.75 V to +5.25 V (P1104-4)
  - d. Connect the DVM from the +55 V  
: +53 V to 57 V (P1104-2)
  - e. Connect the DVM from the 100 V  
: +98 V to +102 V (P1104-1)
- ② Adjust Low-voltage Supply  
Adjust the adjustment RV1112 for DVM reading of +12V (±0.025V).
- ③ Check High Voltage Supply
  - a. Connect the DVM to the H.V test point (PEF-503-2) by High Voltage Probe.
  - b. Check for a reading of -1870 V ~ -2030 V



## DISPLAY

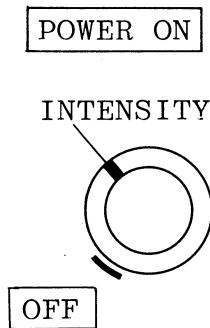
### Control Setting

Preset the controls as given in the Preliminary Control Setting.

#### ④ Check/Adjust CRT Bias

DISPLAY switch to the  A position, and A TIME/DIV switch to the 1 ms.

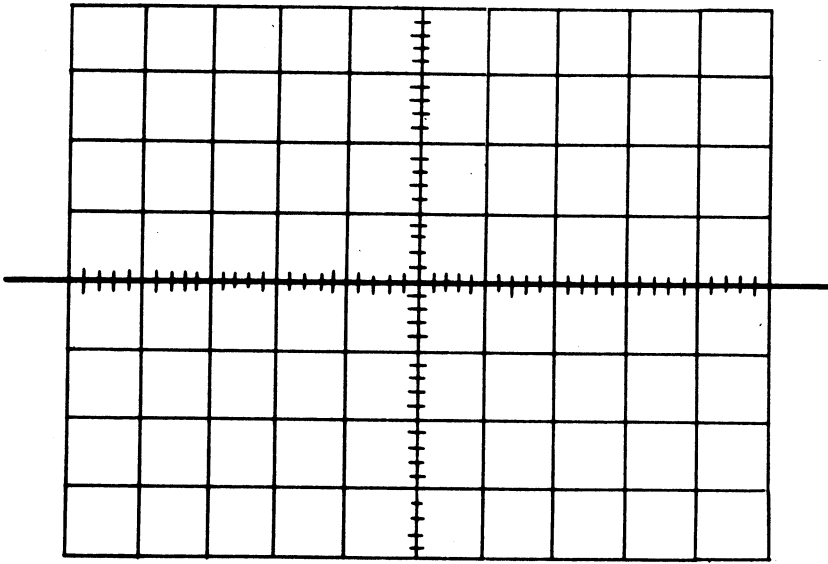
- a. Rotate the POWER/INTENSITY to the "N" letter of the "INTENSITY" as shown.



- b. Observe the trace of CRT.
- c. Adjust Grid Bias Adjustment RV1040 for the trace makes an appear.

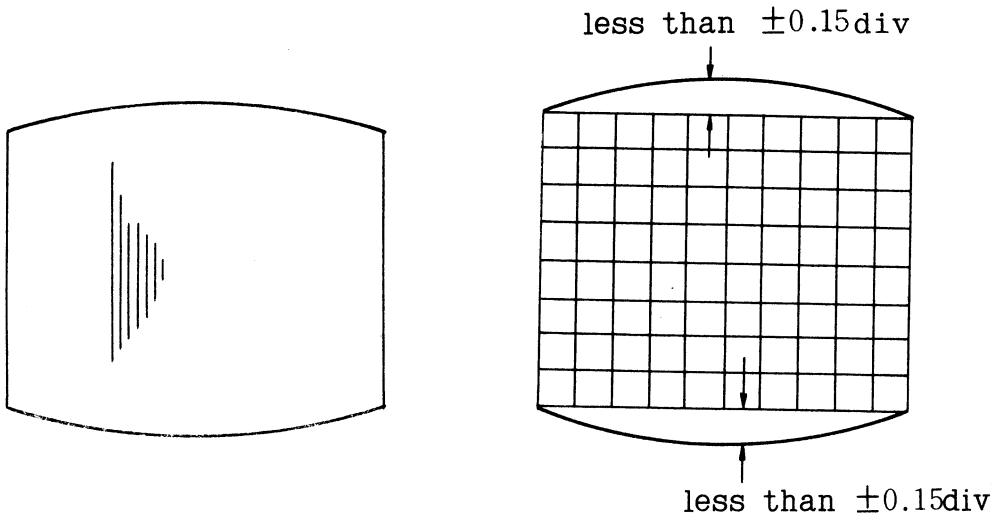
#### ⑤ Check/Adjust Trace Rotation

- a. Check that the trace is parallel to the center horizontal line.
- b. Adjust TRACE ROTATION for a trace that is parallel with the horizontal graticule lines.



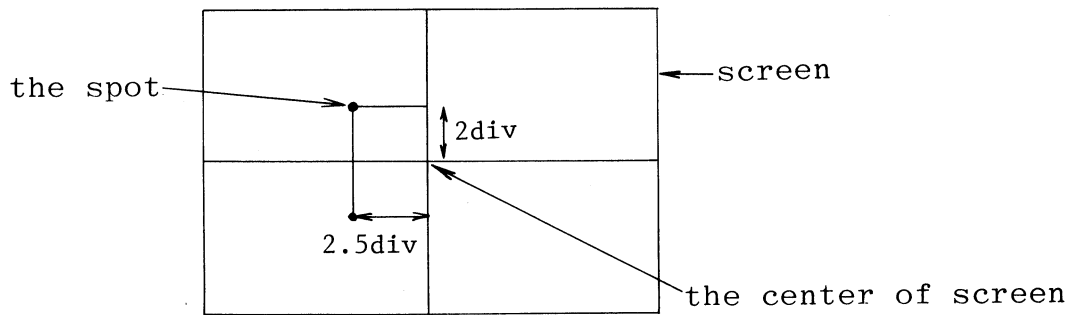
⑥ Check/Adjust GEOMetry

- a. Set the A TIME/DIV switch to the 1mS, and AC-GND-DC to DC.
- b. Connect the Constant Amplitude Signal Generator to the input.
- c. Set the VOLTS/DIV switch setting for a full-screen (8 division) deflection.
- d. Check that horizontal bowing is less than  $\pm 0.15$  division.
- e. Adjust the GEOM adjustment RV1035 for a display that is parallel with top and bottom horizontal lines.



⑦ Check/Adjust ASTIGmatism and FOCUS.

- a. Vertical Mode switch to the CH2 X-Y position, and Display switch to the X-Y position, and AC-GND-DC to DC.
- b. Set the POWER ON INTENSITY control for a small spot, as the following figure, using position controls.



- c. Check that the spot is round.
- d. Adjust the FOCUS adjustment and the ASTIG adjustment RV1038 for a round spot.

#### HORIZONTAL SYSTEM

#### Control Settings

Preset the controls as given in the Preliminary Control settings.

⑧ Check/Adjust Delay time

- a. Vertical Mode Switch to the CH1 position.
- b. Set the A TIME/DIV switch to the 1 mS.
- c. Set the B TIME/DIV switch to the 0.5  $\mu$ S.
- d. Set the input AC-GND-DC to DC, connect the cable to the output of the time mark generator, set the time mark generator for 1 mS time marks.
- e. Display switch to the INTEN.
- f. Connect the cable to the output of the time mark generator.
- g. Set the time mark generator for 1 mS time marks.

- h. Set the DELAY TIME MULT dial to 1.00.
- i. Check that intensified portion of the sweep begins at the second time marker (It may be necessary to readjust the INTENSITY control, so that the intensified portion of the sweep is visible.)
- j. Adjust the RV562 so that the intensified portion of the sweep begins at the start of the second time marker.
- k. Set the DELAY TIME MULT dial to 9.00.
- l. Check that intensified portion of the sweep begins at the tenth time marker.
- m. Adjust the RV560 so that the intensified portion of the sweep begins at the start of the tenth time marker.
- n. Repeat both the RV562 and the RV560 adjustments for no visible interaction.

⑨ Check/Adjust Horizontal Gain

- a. DISPLAY switch to the A position.
- b. Check that the time marks align with the graticule lines over the center eight divisions, within 2%.
- c. Adjust H GAIN adjustment RV813 so that the time marks align with the center eight graticule lines.

⑩ Check/Adjust B Sweep Start

- a. Set the input AC-GND-DC to GND.
- b. Set the A TIME/DIV switch to the 2 mS.
- c. Adjust the Position control so that the beginning of the A sweep is coincident with the first vertical graticule line
- d. Set the B TIME/DIV switch to the 1 mS.
- e. DISPLAY switch to the B position.

- f. Check that the beginning of the B sweep is identical with the first vertical graticule line.
- g. Adjust the RV 714 so that the beginning of the sweep is identical with the first vertical graticule line.

⑪ Check/Adjust B Sweep Calibration

- a. Set the input AC-GND-DC to DC.
- b. Check that the time marks align with the graticule lines over the center eight divisions, within 2%.
- c. Adjust B SWEEP CAL adjustment RV742 so that the time marks align with the center eight graticule lines.

⑫ Check/Adjust Horizontal X10 MAG Gain

- a. DISPLAY switch to the A position, set the A TIME/DIV switch to the 1 mS.
- b. Set X10 MAG (Pull out the inner knob of the POSITION control).
- c. Check that the one-cycle time marks align with the ten-divisions graticule lines, within 2%.
- d. Adjust MAG GAIN adjustment RV804 for one-cycle time marks align with the ten-divisions graticule lines.
- e. Push in the inner of the POSITION control after the adjustment and check.

⑬ Check/Adjust MAG CENT

- a. Set the A TIME/DIV switch to the 0.1 mS.
- b. Being the inner shuft of H. POSITION is in pulled out state (X10 MAG), the left end of the trace is brought to the center point and then the inner shuft of H. POSITION is depressed.
- c. Observe the movement of the left end of the trace.

d. Adjust the MAG CENT adjustment RV811 for the movement of the left end of the trace within  $\pm 0.2$  div.

- ⑭ Check/Adjust High speed sweep accuracy
- a. Set the input AC-GND-DC to DC.
  - b. Display switch to the A position.
  - c. Set the time mark generator for 50 ns time marks.
  - d. Set the A TIME/DIV switch to 50 ns.
  - e. Check that the time marks align with the graticule lines over the center eight divisions.
  - f. Adjust CV530 at that the time marks align with center eight graticule lines.
  - g. Display switch to the B position.
  - h. Set the A TIME/DIV switch to 0.2  $\mu$ s.
  - i. Set the B TIME/DIV switch to 50 ns.
  - j. Refer part (e) through (f) (in this case, adjust CV730)
  - k. Display switch to the A position.
  - l. Set the A TIME/DIV switch to 5  $\mu$ s.
  - m. Set the time mark generator for 5  $\mu$ s time marks.
  - n. Refer part (e) through (f) (in this case, adjust CV534).
  - o. Display switch to the B position.
  - p. Set the A TIME/DIV switch to 20  $\mu$ s.
  - q. Set the B TIME/DIV switch to 5  $\mu$ s.
  - r. Refer part (e) through (f) (in this case, adjust CV 734).
  - s. Display switch to the A position.
  - t. Set the A TIME/DIV switch to 20 ns.
  - u. Set the time marks generator for 20ns time marks.

- v. Refer part (e) through (f) (in this case, adjust RV540).
- w. Display switch to the B position.
- x. Set the A TIME/DIV switch to 50 ns
- y. Set the B TIME/DIV switch to 20 ns.
- z. Refer part (e) through (f) (in this case, adjust RV740).
- α. Check all other ranges of timing within 2%.  
Use appropriate settings on the time mark generator.

## VERTICAL SYSTEM

### Control Setting

Preset the controls as given in the Preliminary Control Settings.

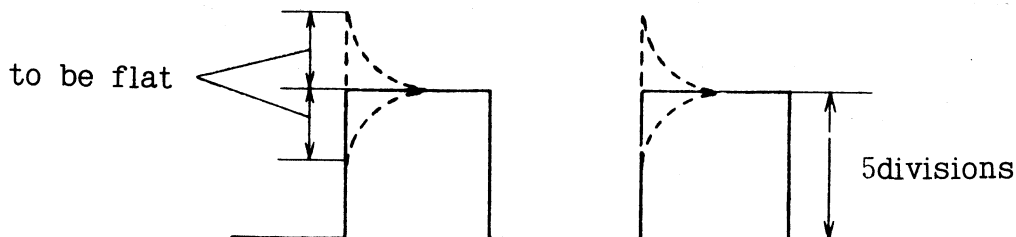
- ⑮ Check/Adjust DC Balance (Step attenuator balance).
  - a. Set the VOLTS/DIV switch to the 5mV position.
  - b. Position the trace to the horizontal center line.
  - c. Change the VOLTS/DIV switch to the 10mV position.
  - d. Check that the trace is within 0.1 division of the center horizontal line.
  - e. Adjust the CH1 (CH2) DC BAL adjustment, RV7 (CH1) or RV107 (CH2), for a trace at the horizontal center line (DC BAL adjustment RV7 and RV107 are possible to adjust at the adjusting point on the front panel.)
  - f. Repeat part (a) through (e) until less than 0.1 division shift is noted when changing the VOLTS/DIV setting.
- ⑯ Check/Adjust Vertical Position Center.
  - a. Confirm the vertical POSITION control at the midrange.
  - b. Check the trace is within 1 division.
  - c. Adjust the Position Center adjustment RV73 (CH1), RV173 (CH2) for a trace at the horizontal center line.

⑰ Check/Adjust ADD BALANCE

- a. Set the A TIME/DIV to the 1ms position, the Display switch to A.
- b. Set the CH1 and CH2 AC-GND-DC switches to GND.
- c. Set the V MODE switch to CH1.
- d. Adjust the vertical Position control that the trace is identical with the center horizontal graticule line.
- e. Next, set the V MODE switch to CH2 and adjust the vertical Position control that the trace is identical with the center horizontal graticule line.
- f. Set the V MODE switch to ADD.
- g. Check that the trace is identical with the center horizontal graticule line within  $\pm 0.5$  division.
- h. Adjust ADD BAL adjustment RV327 for two times of the difference with the center horizontal graticule line.

⑱ Check/Adjust X1 AC GAIN

- a. Set the A TIME/DIV switch to the 1mS position.
- b. Set the VOLTS/DIV switch to the 10mV position.
- c. Set the AC-GND-DC switch to DC.
- d. Connect the square-wave generator (using 1KHz out put range).
- e. Adjust the output amplitude of that generator for 5 division deflection of screen.
- f. Check the high-voltage level of pulse is flat.





g. Adjust the X1 AC GAIN RV33(CH1), RV133(CH2) adjustment for a flat level.

①9 Check/Adjust Vertical Gain.

- a. Set the A VOLTS/DIV switch to the 10mV position and AC-GND-DC switch to DC.
- b. Connect the standard amplitude calibrator to the input.
- c. Set the standard amplitude calibrator for a 50mVp-p (5 divisions of display) signal.
- d. Check for a display of five divisions.
- e. Adjust GAIN adjustment RV339(CH1), RV160(CH2) for a display of 5 divisions within 2%.
- f. Check all the VOLTS/DIV switch settings.

②0 Check/Adjust Input Capacity (ATT: ÷1).

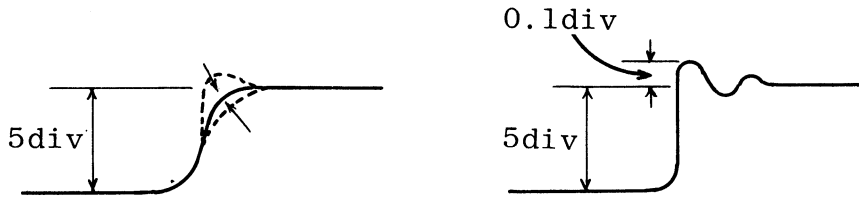
- a. Set the VOLTS/DIV switch to 10mV position.
- b. Set the AC-GND-DC switch to DC.
- c. Connect the L-C meter to the input terminals.
- d. Check the input capacity for approximately 28 pF.
- e. Adjust CV3(CH1), CV103(CH2) for a 28 pF input capacity.

②1 Check/Adjust Vertical Step Response

- a. Set the VOLTS/DIV switch to the 10mV position.
- b. Set the A TIME/DIV switch to the 20 ns position.
- c. Connect the fast-rise, positive output (50mV, 1kMz) of the square-wave generator to the input. Use a 50-ohm termination and cable.
- d. Set the square-wave generator to 1MHz. Adjust the square-wave generator output for a 5-divisions display.

e. CH1 - Set CV63 and RV63 to the midposition. And adjust CV325, CV342 and CV344 for a square wave that is flat. Then, adjust CV63 and RV63 for over-shoot that is +0.1 div.

CH2 - Adjust CV163 and RV163 for over-shoot that is +0.1 div.



② Check/Adjust Attenuation Compensation

(ATT : ÷ 10, ÷ 100, ÷ 250)

- a. Set the AC-GND-DC switch to DC.
- b. Connect the square-wave generator to the CH1 (CH2) input terminal check for a square wave that is flat (flat top) under the following settings.

ATT	VOLT/DIV	The squarewave generator output
÷ 10	50mV	0.25V
÷ 100	0.5V	2.5 V
÷ 250	5 V	25 V

- c. Adjust the trimmer condensers (refer the circuit board illustration with adjustment location - page 37) for a squarewave that is flat (flat top) under the following settings.

ATT	VOLT/DIV	The squarewave generator output	Adjust CH1 (CH2)
÷ 10	50mV	0.25V	Comp-1/10
÷100	0.5V	2.5 V	Comp-1/100
÷250	5 V	25.0V	Comp-1/250

- ②③ Check/Adjust Input Capacity (ATT: ÷10, ÷100, ÷250)
- Connect the L-C meter to the Input terminal.
  - Check the Input capacity for a approximately 28pF.
  - Adjust the trimmer condensers for a 28pF Input capacity under the following settings.

ATT	VOLTS/DIV	Adjust CH1 (CH2)
÷ 1	10mV	Cin - 1/10
÷ 10	0.1V	Cin - 1/100
÷100	1 V	Cin - 1/250

#### TRIGGERING SYSTEM

- ②④ Check/Adjust A TRIG CENT
- Set A TRIG SOURCE switch to CH1, A TRIG COUPLING switch to AC, A TRIG SLOPE knob push in, the VOLTS/DIV switch to 10mV, the A TIME/DIV switch to 20 $\mu$ s.

- b. Connect the sine-wave generator to the input for a 0.3div (50kHz).
- c. Set A TRIG LEVEL knob to the midposition.
- d. Adjust RV441 so that synchronization is effected on the waveform, 0.3div on the screen.
- e. Under the state of (d), if synchronization is not effected by switching A TRIG COUPLING to "DC", set CH1(CH2) DC LEVEL adjustment RV211 (CH1) and RV311(CH2) so that synchronization is effected.
- f. Next, set A TRIG SLOPE to -(pulled out state) and insure that synchronization is effected. After confirmation, leave A TRIG-SLOPE in depressed state. Readjust when stepped out.

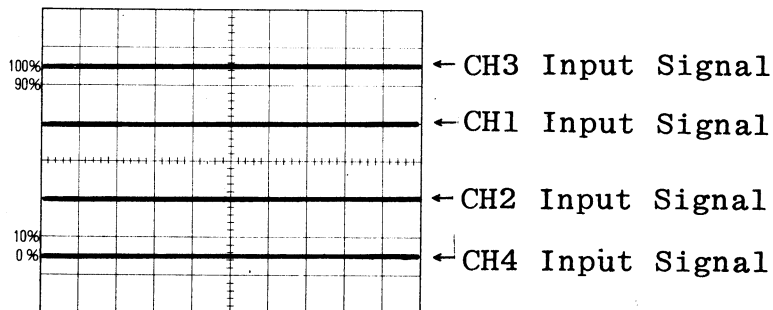
②5 Check/Adjust B TRIG CENT

- a. Set A TRIG SOURCE switch to CH1, B TRIG SLOPE knob push in, the B TIME/DIV switch to 5 $\mu$ s. Set the DISPLAY switch to INTEN.
- b. Set B TRIG LEVEL knob to the midposition.
- c. Check for the intensified portion of the sweep.
- d. Adjust RV622a so that the intensified portion of the sweep appears. (Synchronization is effected).
- e. Next, set B TRIG slope to -(pulled out state) and insure that synchronization is effected. After confirmation, leave B TRIG-SLOPE in depressed state. Readjust when stepped out.

②6 Check/Adjust TRIG VIEW Position

- a. Set the A TIME/DIV switch to the 1mS.
- b. Set the V MODE switch to ALT (or CHOP).
- c. Push the TRIG VIEW button in.

- d. Set the A TRIG LEVEL knob to the midposition.
- e. Observe the four-trace display (CH1, CH2, CH3: A TRIG signal, CH4: B TRIG signal).
- f. Check that the CH3 trace is identical with the horizontal 100% graticule line and the CH4 trace is identical with the horizontal 0% graticule line.
- g. Adjust the A POS adjustment RV231 so that the CH3 trace comes to the +1 div on the 100% graticule line.
- h. Adjust the B POS adjustment RV249 so that the CH4 trace comes to the +1 div on the 0% graticule line.



- 27 Check/Adjust CH3 (A EXT TRIG) and CH4 (B EXT TRIG)
  - a. Set the A TRIG SOURCE switch to the EXT position, the A COUPLING switch to the DC point, the A MODE switch to the AUTO position, the B TRIG SOURCE switch to the EXT position, and push the TRIG VIEW button in.
  - b. Connect the square-wave generator (using 1kHz out put range) to CH3 (A EXT TRIG) and CH4 (B EXT TRIG) terminal. Use a 50-ohm termination and cable.
  - c. Check the high-voltage level of pulse is flat.
  - e. Adjust CV423 (CH3), CV603 (CH4).

②⑧ X-Y Operation

②⑧-① Check/Adjust X Gain.

- a. Set the vertical MODE switch to CH2 X-Y, the DISPLAY switch to X-Y, the AC-GND-DC switch of CH1 to DC, the AC-GND-DC switch of CH2 to GND.
- b. Set the VOLTS/DIV switch to the 10mV position, with X1 GAIN.
- c. Connect the standard amplitude calibrator to the CH1 input.
- d. Set the standard amplitude calibrator for a 50mV.
- e. Check for a display of five divisions.
- f. Adjust the X GAIN adjustment RV783a for a display of five divisions within 3%.

②⑧-② Check/Adjust X Position Center

- a. Set the DISPLAY switch to X-Y position, the vertical MODE switch to CH2/ X-Y position and the horizontal POSITION control to the midposition, the AC-GND-DC switch of CH1 to GND.
- b. Check to see that round spot is near the center graticule and is within 0.2 division against horizontal line.
- c. Adjust the X CENT adjustment RV208 to position spot at the center.

②⑧-③ Check/Adjust X-Y phasing

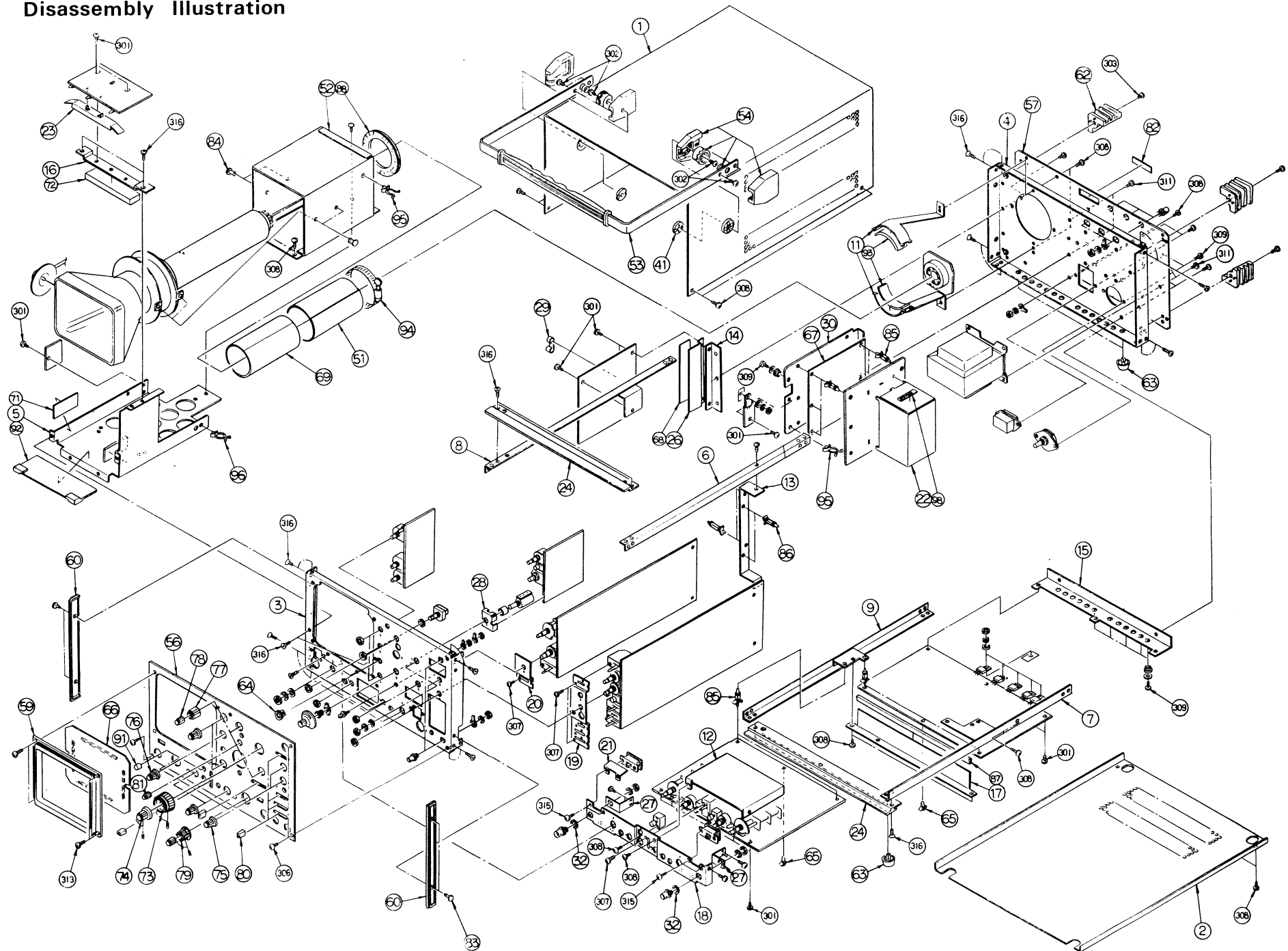
- a. Set the AC-GND-AC switch of CH1 and CH2 to DC.
- b. Connect the constant amplitude signal generator to the CH1 and CH2 inputs through 500Ω BNC cable, 500Ω BNC termination.
- c. Adjust the constant amplitude signal generator for an eight division horizontal display of 1MHz.

- d. Center the display vertically and horizontally with the CH1 and CH2 POSITION controls.
- e. Check CRT display for an opening at the center horizontal line of 0.4 division or less.
- f. Adjust CV782A so that the opening at the center horizontal line becomes to 0 division.
- g. Adjust the constant amplitude signal generator for eight division horizontal display of 2MHz, confirm CRT display for an opening at center horizontal line 0.4 division or less.

#### CALIBRATOR

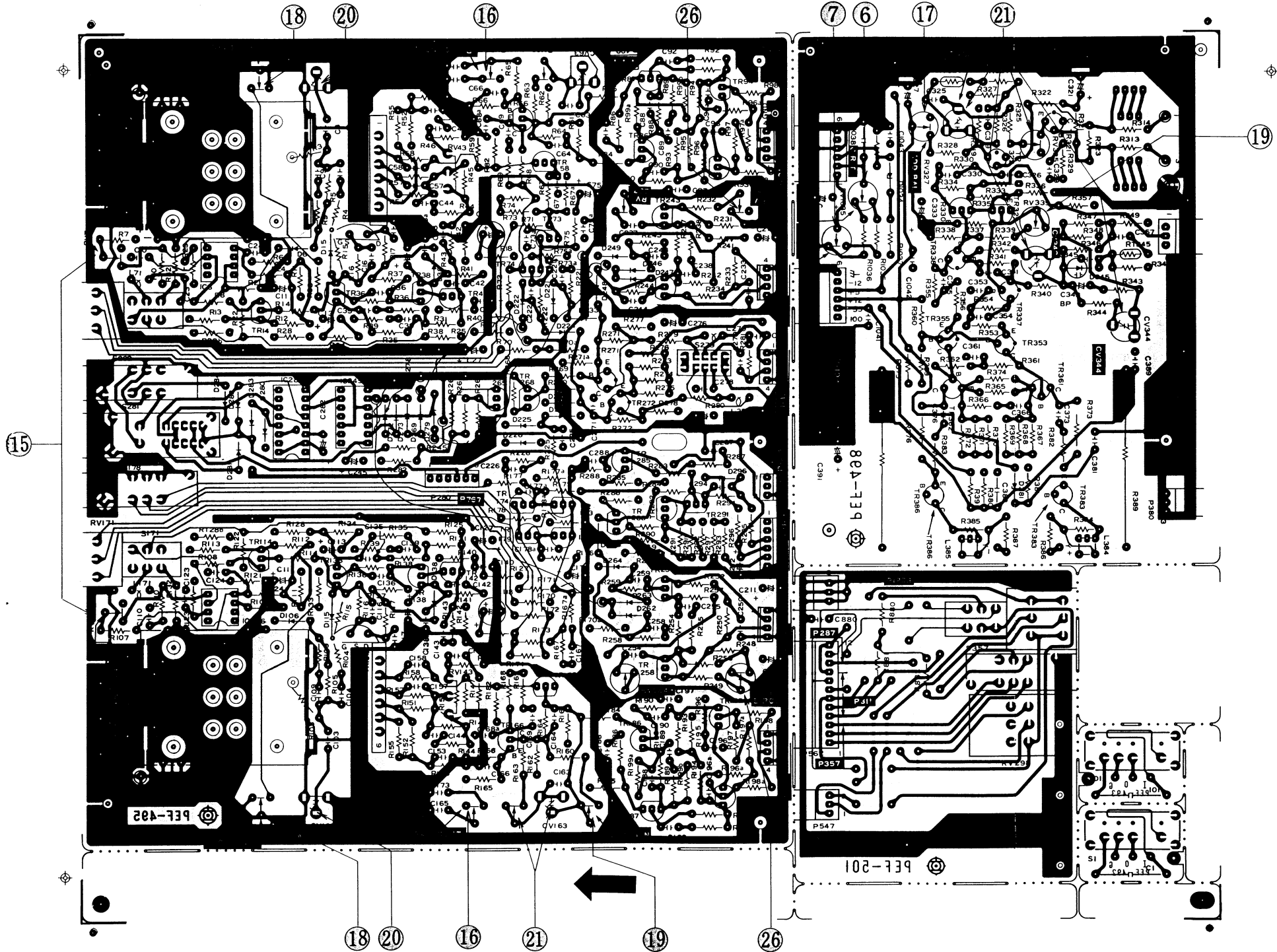
- ②9 Check/Adjust CAL terminal (0.5Vp-p, 1KHz)
  - a. Connect the CAL terminal to the Digital frequency counter.
  - b. Check for the CAL frequency of 1KHz, within 1%.
  - c. Adjust the 1KHz adjustment RV1203 for the CAL frequency of 0.99 to 1.01 KHz.
  - d. Next, connect the CAL terminal to the Digital Multimeter, short the terminal 1 to 3 of the connector (P1202).
  - e. Check for the CAL output of 0.5V, within 1%.
  - f. Adjust the 0.5V adjustment RV1205 for the CAL output of 0.495 to 0.505 Volt.

## 5. Disassembly Illustration







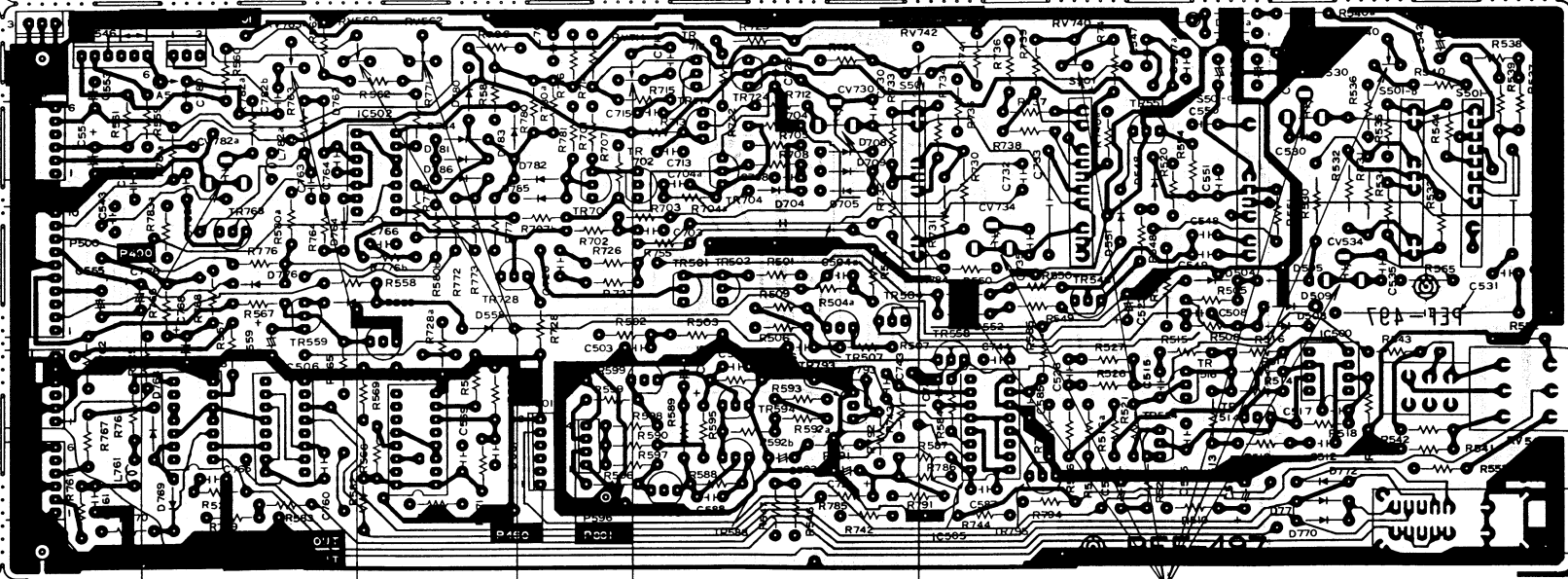
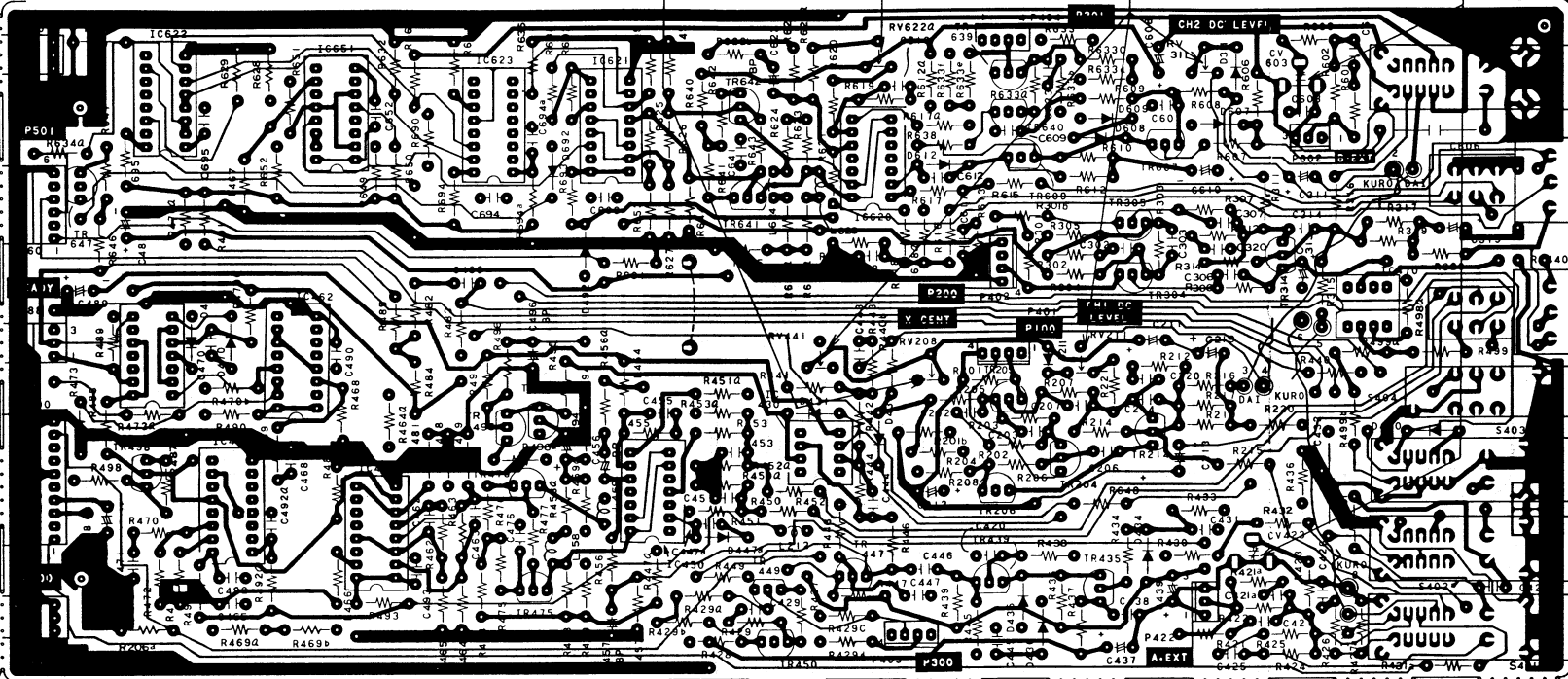


28-2

25

24

27



28-3

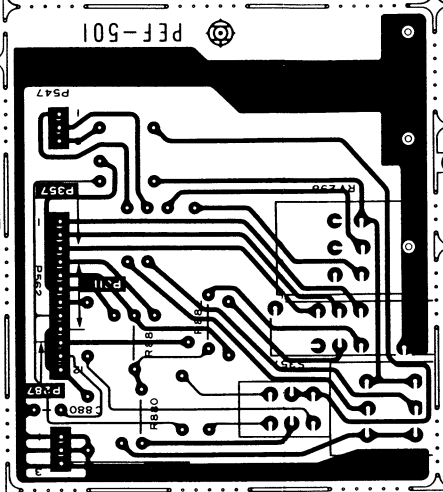
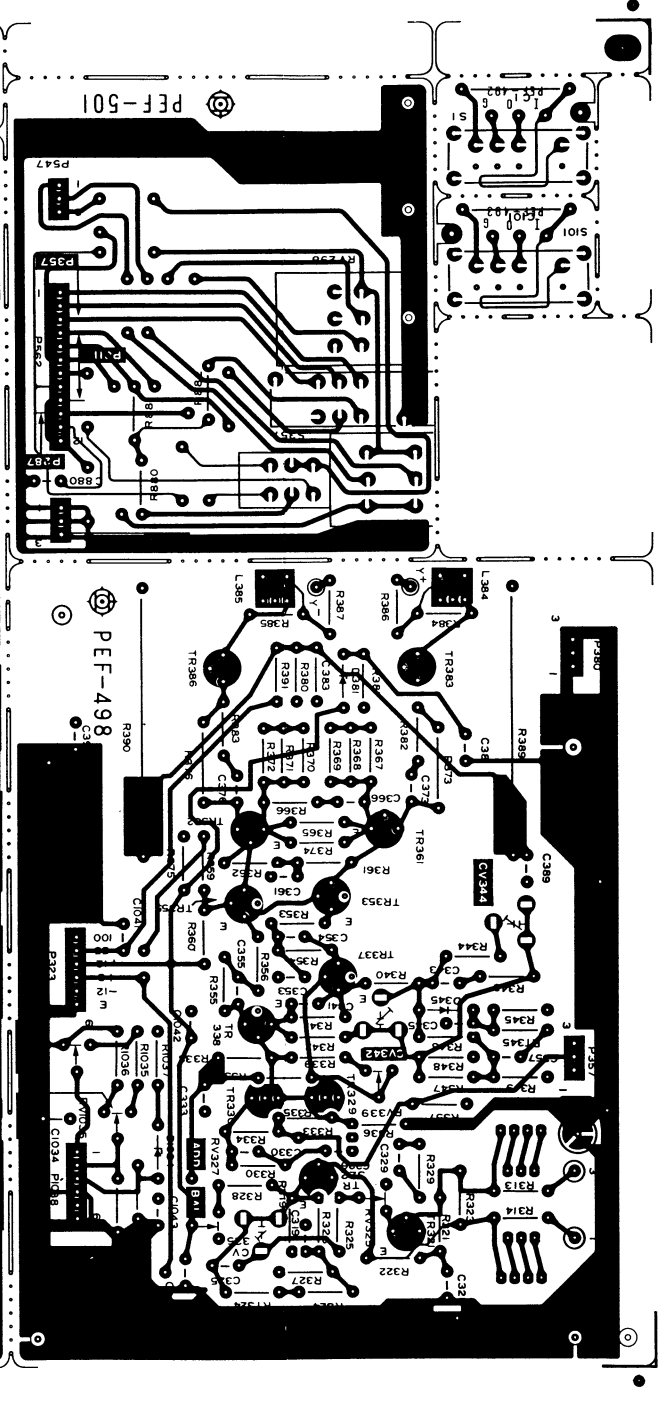
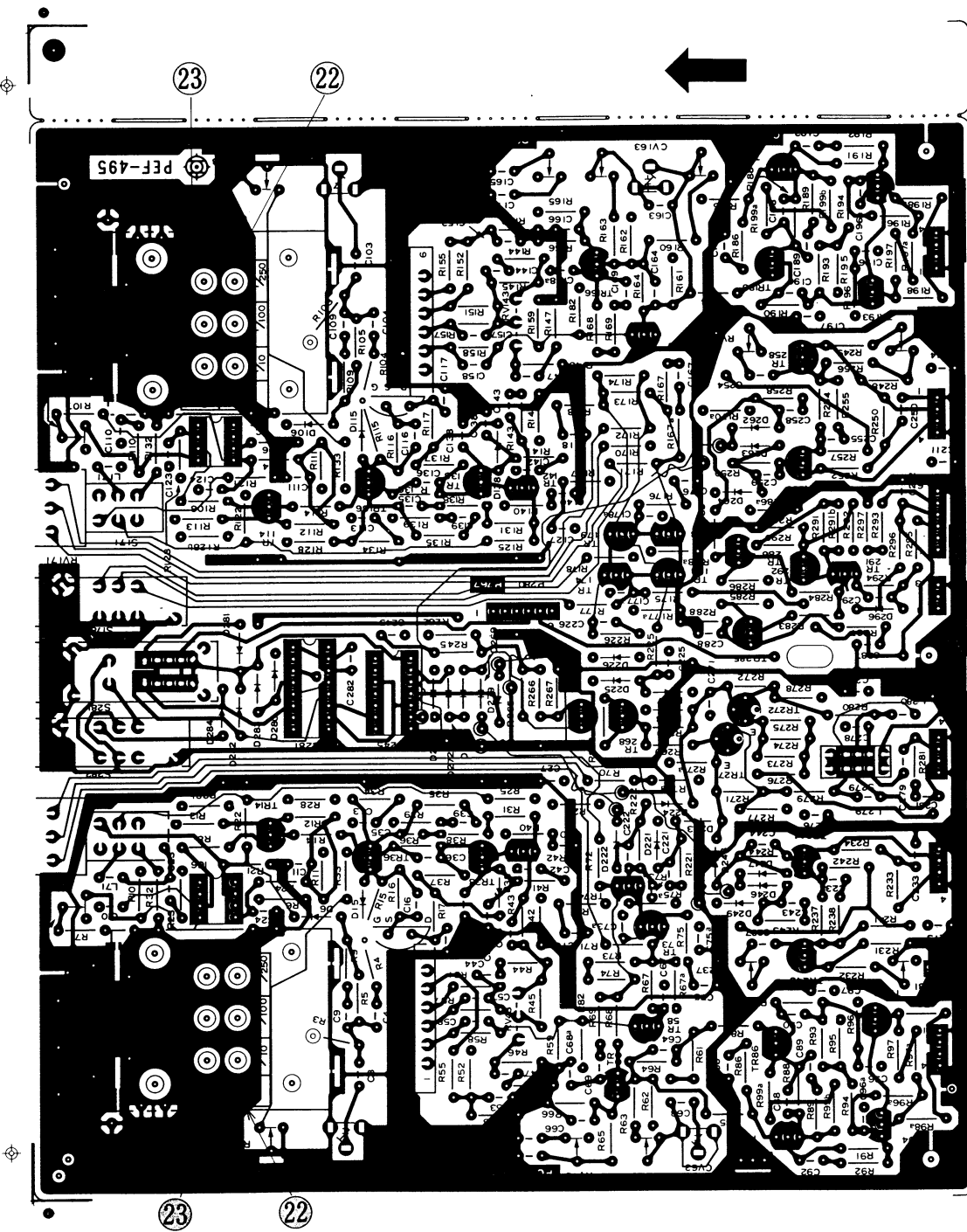
28-1

8

10

11

14

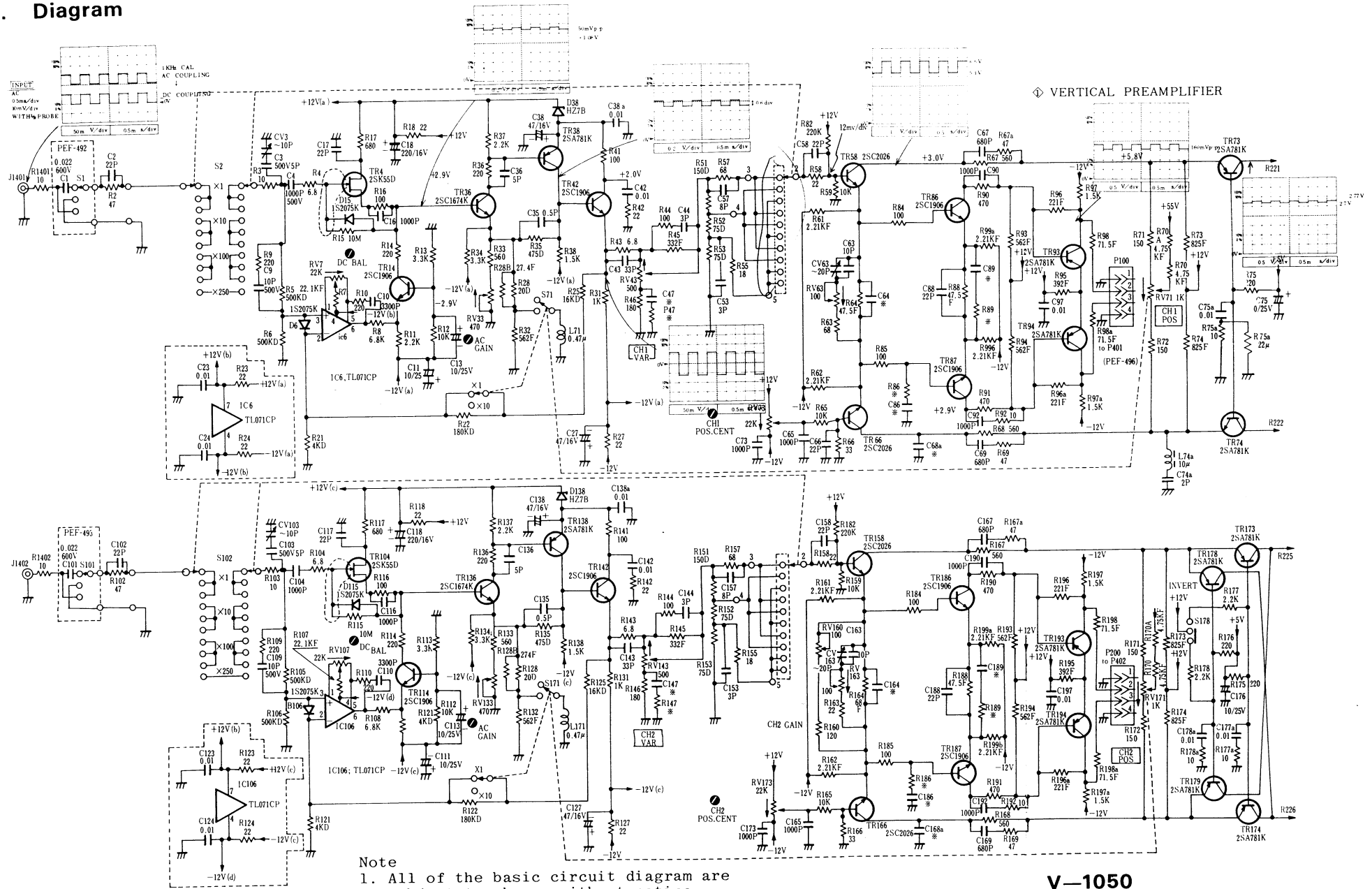


22

23

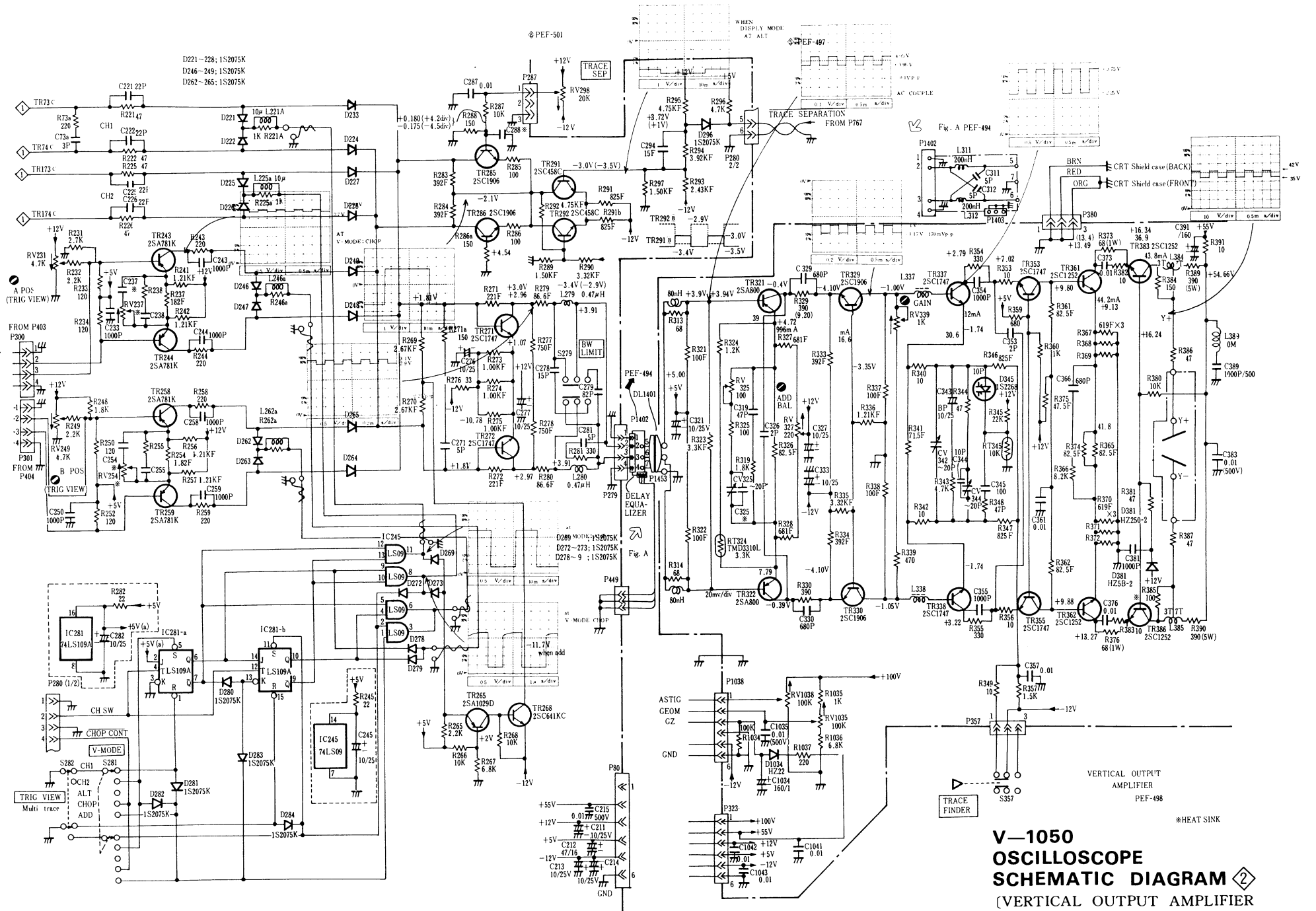


# 7. Diagram

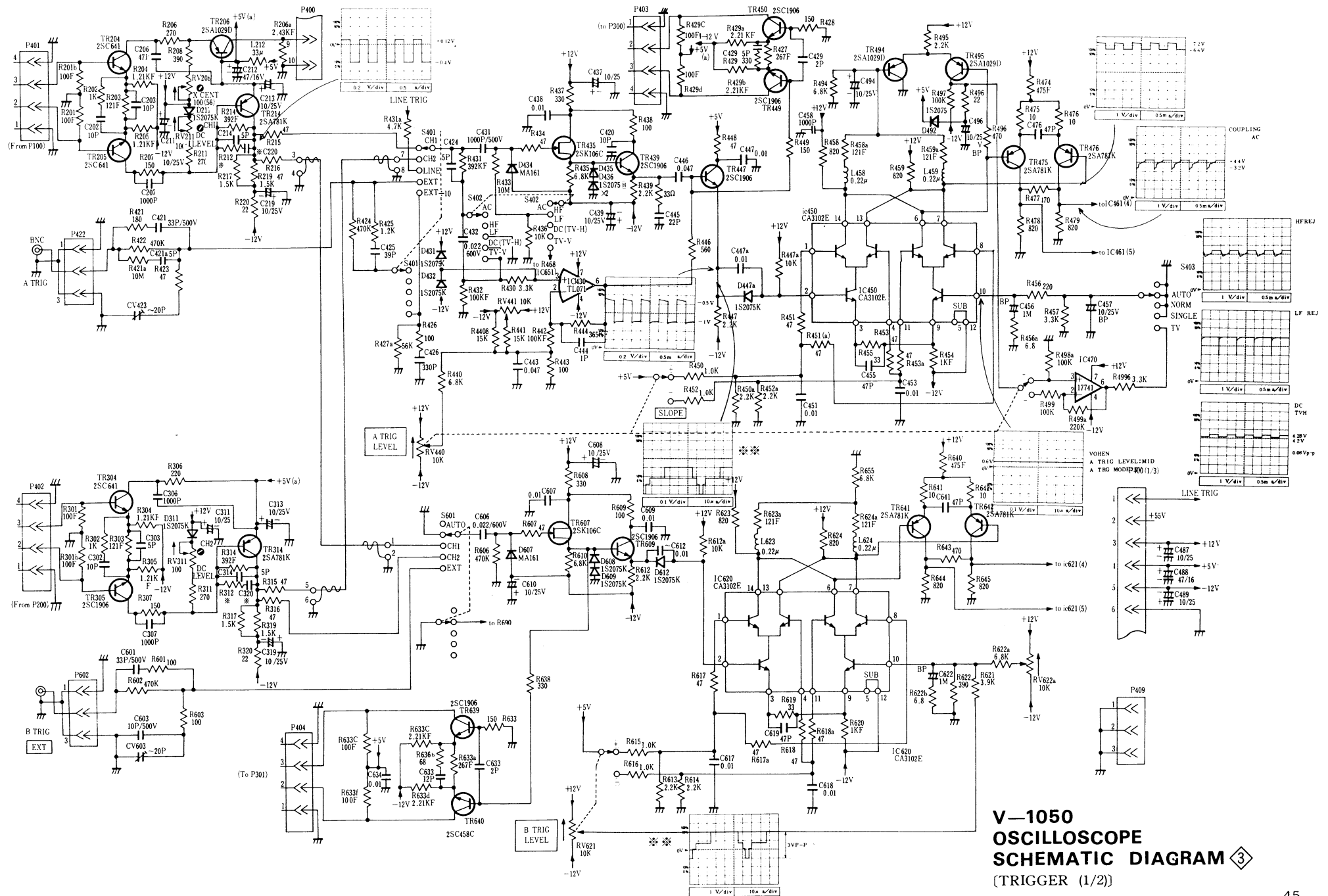


- Note
1. All of the basic circuit diagram are subject to change without notice.
  2. All resistor values in ohm: 1/4W and all capacitor values in micro farad unless indicated.
  3. \* Factory selected values.

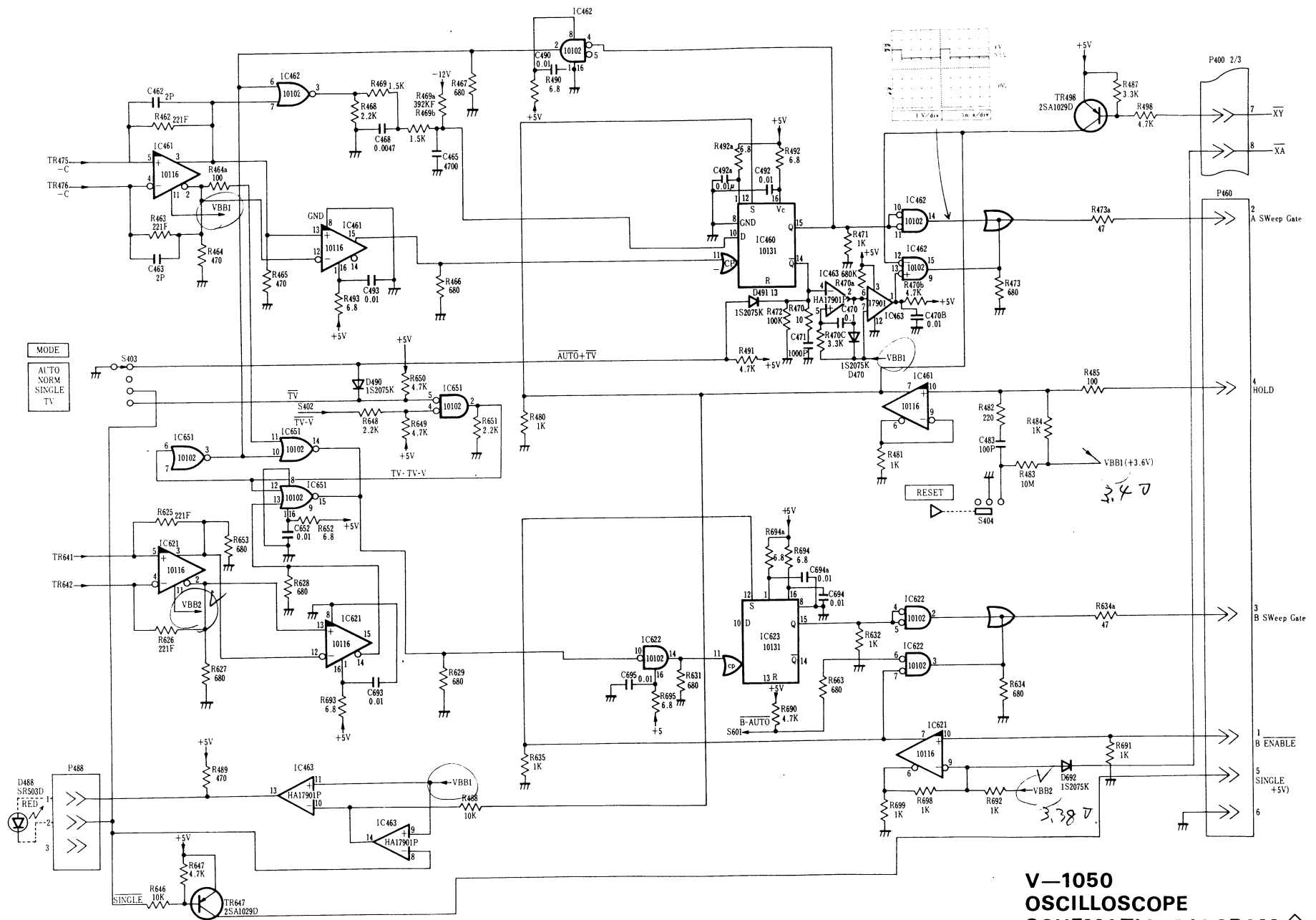
**V-1050**  
**OSCILLOSCOPE**  
**SCHEMATIC DIAGRAM** ◊  
 (VERTICAL PREAMPLIFIER)



**V-1050  
OSCILLOSCOPE  
SCHEMATIC DIAGRAM**  
(VERTICAL OUTPUT AMPLIFIER  
& CHANNEL SWITCH)

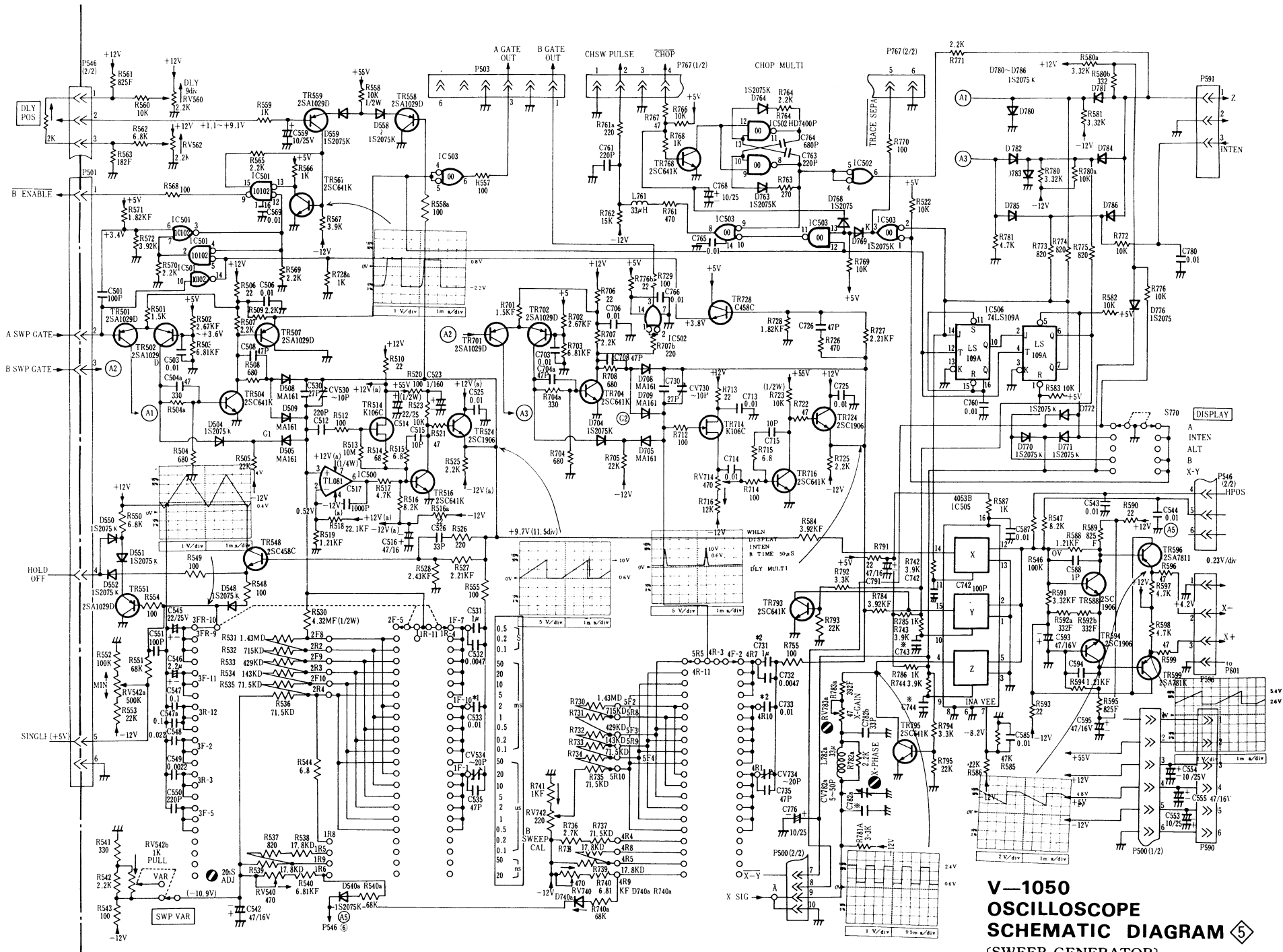


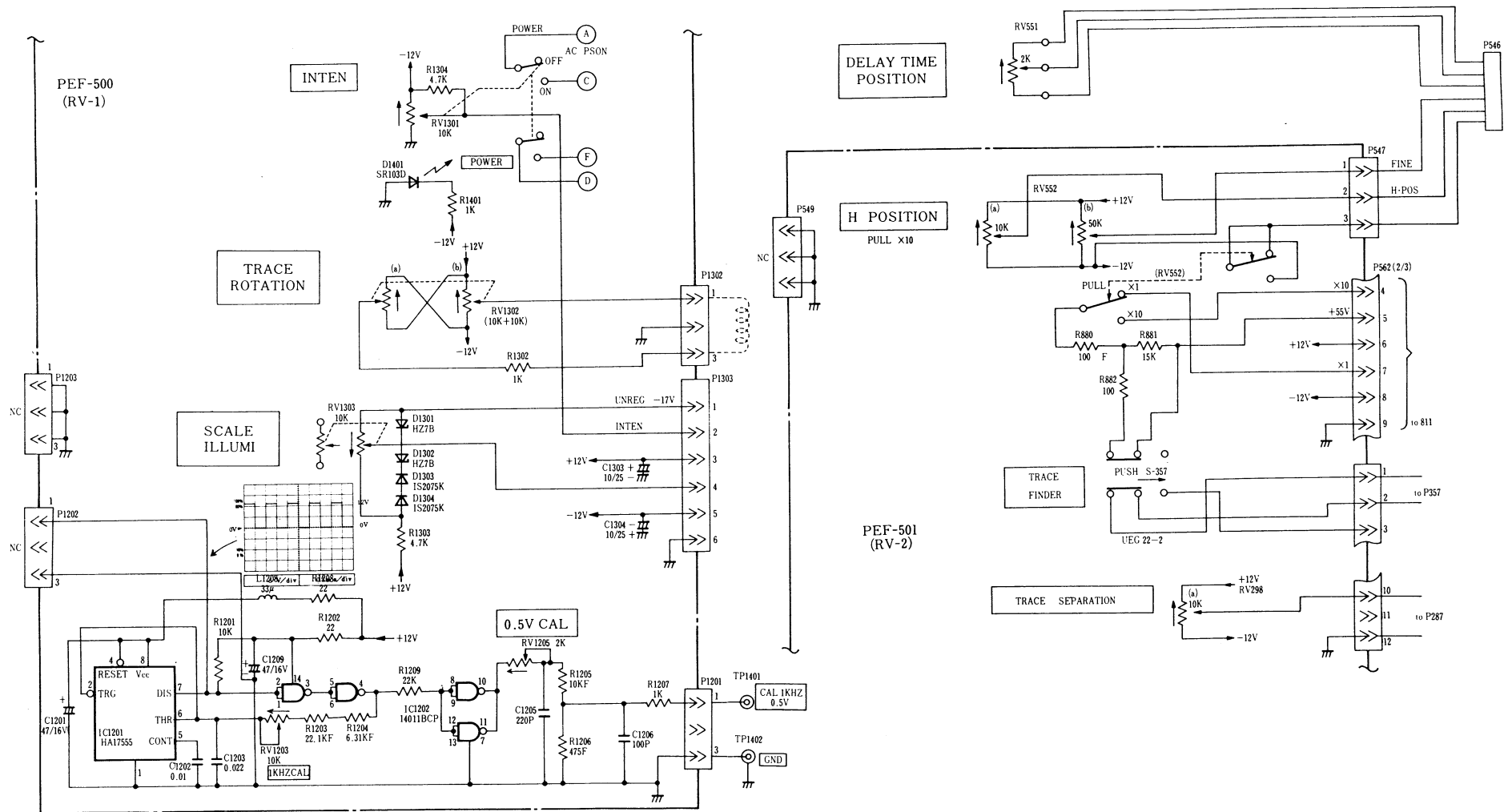
**V-1050  
OSCILLOSCOPE  
SCHEMATIC DIAGRAM** 3  
(TRIGGER (1/2))



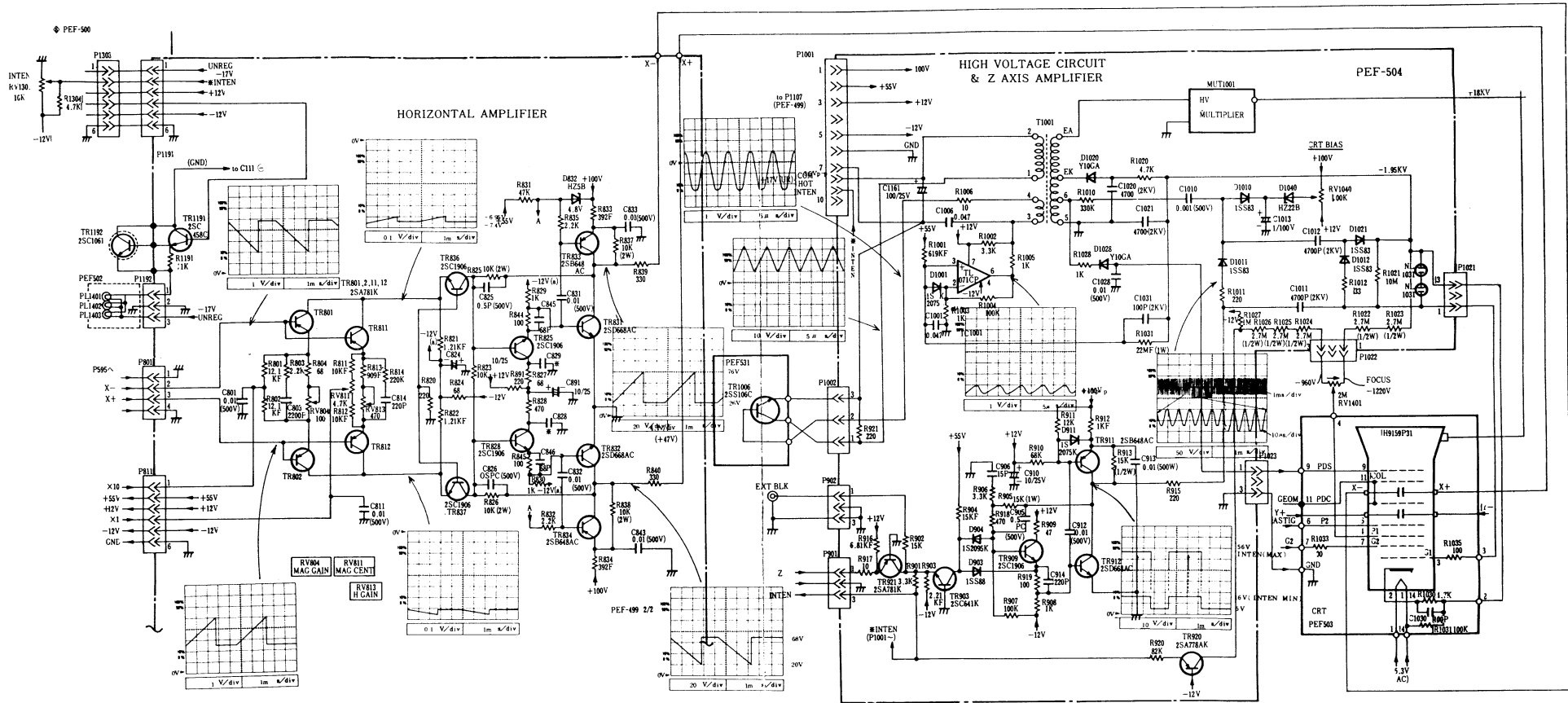
**V-1050  
OSCILLOSCOPE  
SCHEMATIC DIAGRAM 4**  
(TRIGGER (2/2))




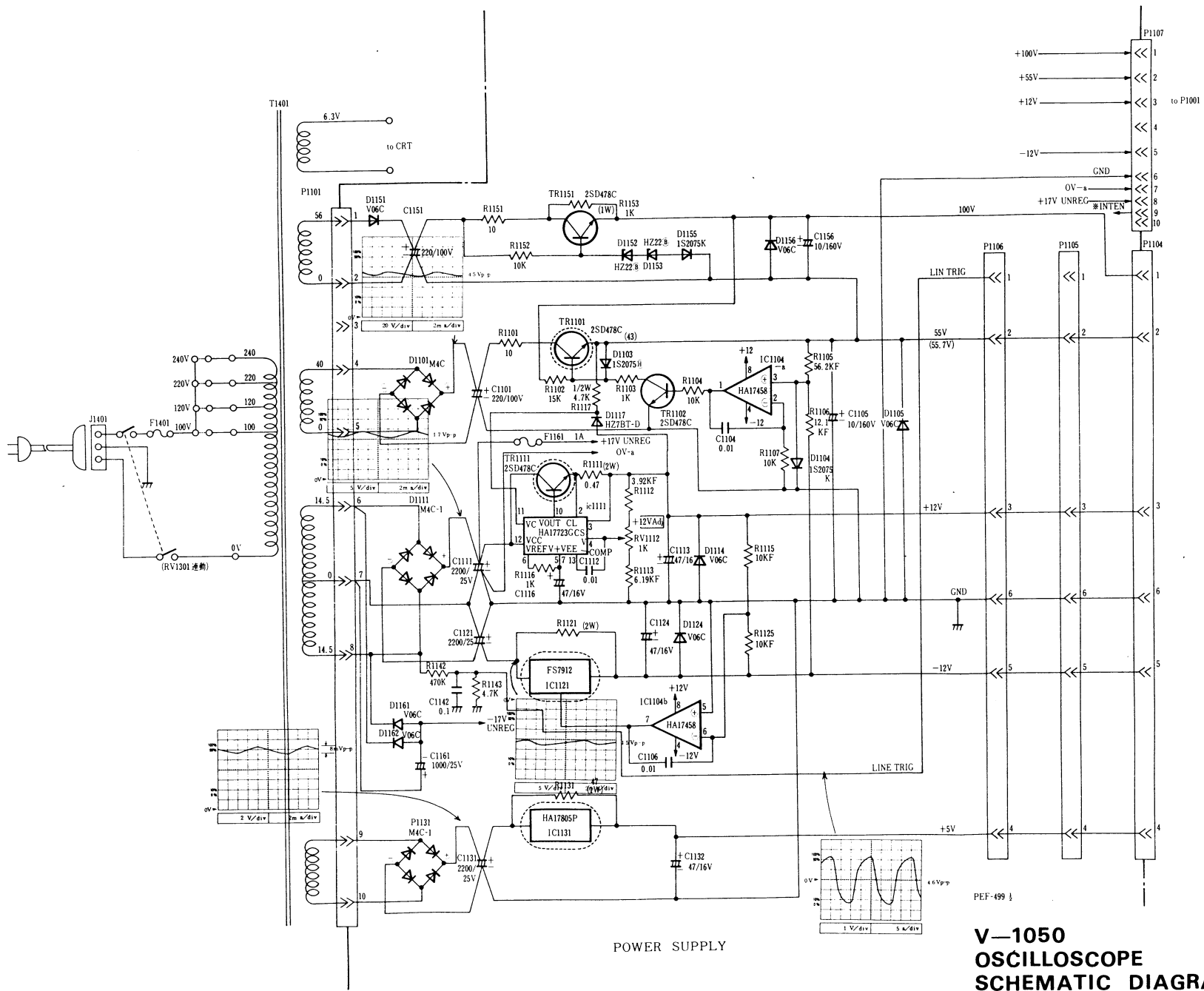




**V-1050  
OSCILLOSCOPE  
SCHEMATIC DIAGRAM**   
(CALIBRATOR & FRONT PANEL CONTROLS)

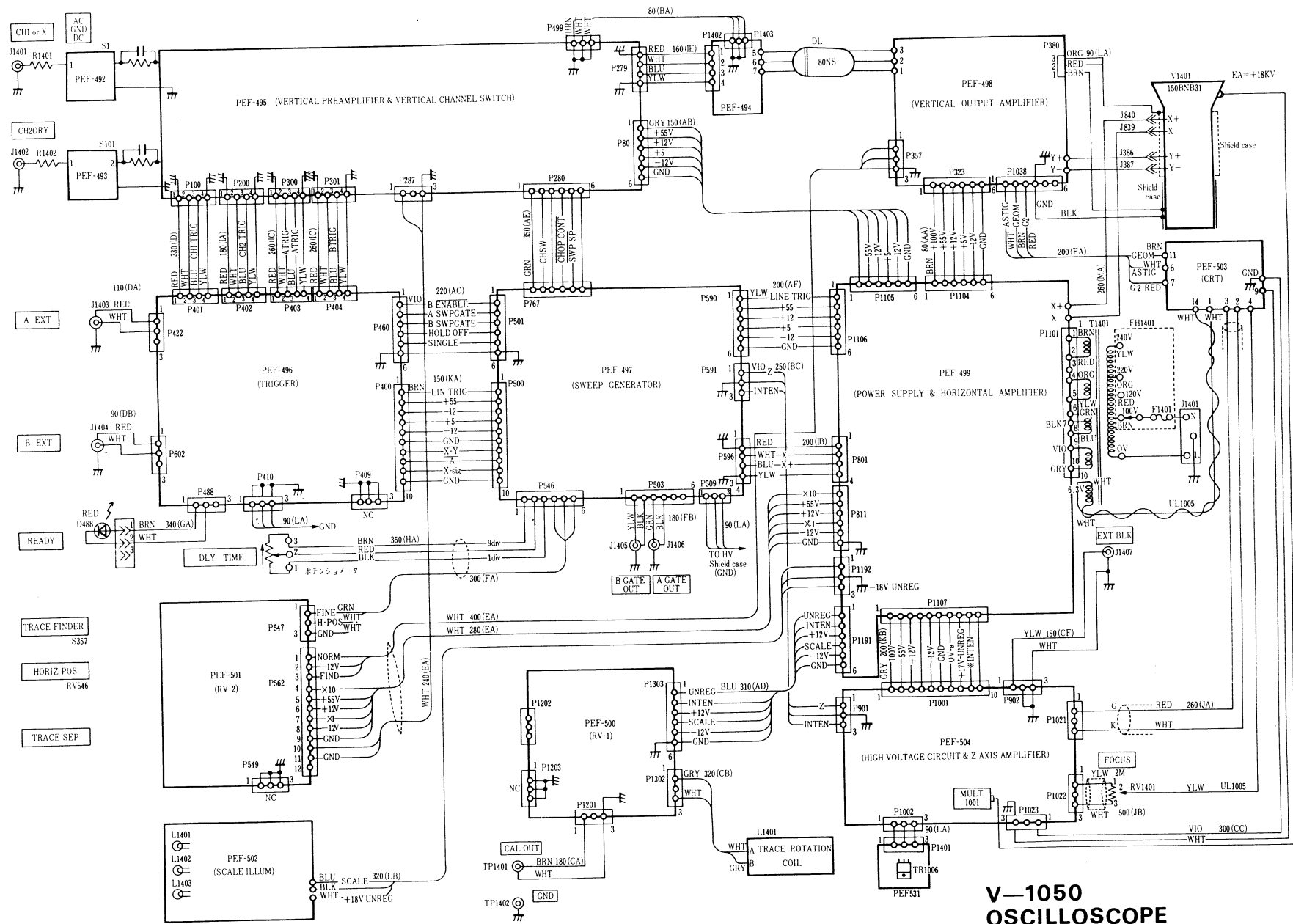


**V-105  
OSCILLOSCOPE  
SCHEMATIC DIAGRAM**   
(HORIZONTAL AMPLIFIER,  
Z-AXIS AMPLIFIER  
& HIGH VOLTAGE CIRCUITS)



POWER SUPPLY

V-1050  
OSCILLOSCOPE  
SCHEMATIC DIAGRAM 8  
(POWER SUPPLY)



**V-1050  
OSCILLOSCOPE  
SCHEMATIC DIAGRAM 9**  
(CONNECTORS)

**ELECTRICAL REPLACEABLE PARTS LIST  
CIRCUIT BOARD (PEF-492~493)**

Simbol	Description	Code	Q'ty
C1	C, PLASTIC 600 V22000 PF+-10%	CQX0071	1
C101	C, PLASTIX 600 V22000 PF+-10%	CQX0071	1
C2	C, CERAMIC 50 V 22 PF+-5%	CCC1007	1
C102	C, CERAMIC 50 V 22 PF+-5%	CCC1007	1
J1401	COAX. CON BNC071	JHB0088	1
J1402	COAX. CON BNC071	JHB0088	1
R2	R, CARBON 1/4W 47 OHM +-5%	RCR3020	1
R102	R, CARBON 1/4W 47 OHM +-5%	RCR3020	1
R1401	R, CARBON 1/4W 10 OHM +-5%	RCR3004	1
R1402	R, CARBON 1/4W 10 OHM +-5%	RCR3004	1
S1	SW, SLIDE SSB023 L=9 NS PCB	SSV0042	1
S101	SW, SLIDE SSB023 L=9 NS PCB	SSV0042	1

**ELECTRICAL REPLACEABLE PARTS LIST  
CIRCUIT BOARD (PEF-494)**

Simbol	Description	Code	Q'ty
C311	C, CERAMIC 50 V 5 PF+-0.25PF	CCC0999VA	1
C312	C, CERAMIC 50 V 5 PF+-0.25PF	CCC0999VA	1
DL1401	DELAY LINE 758DL 100NS 186OHM	HX8311698	1
L311	COIL FL-3H R22M	TLF0003	1
L312	COIL FL-3H R22M	TLF0003	1
P1402	CONNECTOR 171825-4	JBX0704	1
P1403	CONNECTOR 171825-3	JBX0468	1
PEF-494	PCB PEF-499	H 116458	R

## ELECTRICAL REPLACEABLE PARTS LIST CIRCUIT BOARD (PEF-495)

Symbol	Description	Code	Q'ty
C3	C, CERAMIC 500 V 5 PF+-0.5PF	CCC0769	1
CV3	C, VARIABLE ECV-1ZW10×93	HX3142155	1
C4	C, CERAMIC 500 V 1000 PF+-10%	CCD0217	1
C9	C, CERAMIC 500 V 10 PF+-0.5PF	CCC0772	1
C10	C, PLASTIC 50 V 3300 PF+-10%	CQA0094	1
C11	C, AL ELYC 25 V 10 UF	CEC0175	1
C13	C, AL ELYC 25 V 10 UF	CEC0175	1
C16	C, CERAMIC 50 V 1000 PF+80%-20%	CCC1029	1
C17	C, CERAMIC 50 V 22 PF+-5%	CCC1007	1
C18	C, AL ELYC 16 V 220 UF	CEC0165	1
C23	C, CERAMIC 50 V10000 PF+80%-20%	CCC1030	1
C24	C, CERAMIC 50 V10000 PF+80%-20%	CCC1030	1
C27	C, AL ELYC 16 V 47 UF	CEC0170	1
C35	C, CERAMIC 500 V 0.5 PF+-0.25PF	CCC0111	1
C36	C, CERAMIC 50 V 5 PF+-0.25PF	CCC0999	1
C38	C, AL ELYC 16 V 47 UF	CEC0170	1
C38A	C, CERAMIC 50 V10000 PF+80%-20%	CCC1030	1
C42	C, CERAMIC 50 V10000 PF+80%-20%	CCC1030	1
C43	C, CERAMIC 50 V 33 PF+-5%	CCC1011	1
C44	C, CERAMIC 50 V 3 PF+-0.25PF	CCC0997	1
C53	C, CERAMIC 50 V 3 PF+-0.25%	CCC0997	1
C57	C, CERAMIC 50 V 8 PF+-0.5PF	CCC1001	1
C58	C, CERAMIC 50 V 22 PF+-5%	CCC1007	1
C63	C, CERAMIC 50 V 10 PF+-0.5%	CCC1002	1
CV63	C, VARIABLE ECV-1ZW20×93	HX3142155	1
C65	C, CERAMIC 50 V 1000 PF+80%-20%	CCC1029	1
C66	C, CERAMIC 50 V 22 PF+-5%	CCC1007	1
C67	C, CERAMIC 50 V 680 PF+-10%	CCC1365	1
C69	C, CERAMIC 50 V 680 PF+-10%	CCC1365	1

Simbol	Description				Code	Q'ty
C73	C, CERAMIC	50	V 1000	PF+80%-20%	CCC1029	1
C73A	C, CERAMIC	50	V 3	PF+-0.25PF	CCC0997	1
C74A	C, CERAMIC	50	V 2	PF+-0.25PF	CCC0996	1
C75	C, AL ELYC	25	V 10	UF	CEC0175	1
C75A	C, CERAMIC	50	V10000	PF+80%-20%	CCC1030	1
C88	C, CERAMIC	50	V 22	PF+-5%	CCC1007	1
C90	C, CERAMIC	50	V 1000	PF+80%-20%	CCC1029	1
C92	C, CERAMIC	50	V 1000	PF+80%-20%	CCC1029	1
C97	C, CERAMIC	50	V10000	PF+80%-20%	CCC1030	1
C103	C, CERAMIC	500	V 5	PF+-0.5PF	CCC0769	1
CV103	C, VARIABLE	ECV-1ZW10×93			HX3142155	1
C104	C, CERAMIC	500	V 1000	PF+-10%	CCD0217	1
C109	C, CERAMIC	500	V 10	PF+-0.5PF	CCC0772	1
C110	C, PLASTIC	50	V 3300	PF+-10%	CQA0094	1
C111	C, AL ELYC	25	V 10	UF	CEC0175	1
C113	C, AL ELYC	25	V 10	UF	CEC0175	1
C116	C, CERAMIC	50	V 1000	PF+80%-20%	CCC1029	1
C117	C, CERAMIC	50	V 22	PF+-5%	CCC1007	1
C118	C, AL ELYC	16	V 220	UF	CEC0165	1
C123	C, CERAMIC	50	V10000	PF+80%-20%	CCC1030	1
C124	C, CERAMIC	50	V10000	PF+80%-20%	CCC1030	1
C127	C, AL ELYC	16	V 47	UF	CEC0170	1
C135	C, CERAMIC	500	V 0.5	PF+-0.25PF	CCC0111	1
C136	C, CERAMIC	50	V 5	PF+-0.25PF	CCC0999	1
C138	C, AL ELYC	16	V 47	UF	CEC0170	1
C138A	C, CERAMIC	50	V10000	PF+80%-20%	CCC1030	1
C142	C, CERAMIC	50	V10000	PF+80%-20%	CCC1030	1
C143	C, CERAMIC	50	V 33	PF+-5%	CCC1011	1
C144	C, CERAMIC	50	V 3	PF+-0.25PF	CCC0997	1



Simbol	Description	Code	Q'ty
C153	C, CERAMIC 50 V 3 PF+-0.25PF	CCC0997	1
C157	C, CERAMIC 50 V 8 PF+-0.5PF	CCC1001	1
C158	C, CERAMIC 50 V 22 PF+-5%	CCC1007	1
C163	C, CERAMIC 50 V 10 PF+-0.5%	CCC1002	1
CV163	C, VARIABLE ECV-1ZW20×93	HX3142155	1
C165	C, CERAMIC 50 V 1000 PF+80%-20%	CCC1029	1
C166	C, CERAMIC 50 V 22 PF+-5%	CCC1007	1
C167	C, CERAMIC 50 V 680 PF+-10%	CCC1365	1
C169	C, CERAMIC 50 V 680 PF+-10%	CCC1365	1
C173	C, CERAMIC 50 V 1000 PF+80%-20%	CCC1029	1
C176	C, AL ELYC 25 V 10 UF	CEC0175	
C177A	C, CERAMIC 50 V10000 PF+80%-20%	CCC1030	1
C178A	C, CERAMIC 50 V10000 PF+80%-20%	CCC1030	1
C188	C, CERAMIC 50 V 22 PF+-5%	CCC1007	1
C190	C, CERAMIC 50 V 1000 PF+80%-20%	CCC1029	1
C192	C, CERAMIC 50 V 1000 PF+80%-20%	CCC1029	1
C197	C, CERAMIC 50 V10000 PF+80%-20%	CCC1030	1
C211	C, AL ELYC 25 V 10 UF	CEC0175	1
C212	C, AL ELYC 16 V 47 UF	CEC0170	1
C213	C, AL ELYC 25 V 10 UF	CEC0175	1
C214	C, AL ELYC 25 V 10 UF	CEC0175	1
C215	C, CERAMIC 500 V10000 PF+-10%	CCD0218	1
C221	C, CERAMIC 50 V 22 PF+-5%	CCC1007	1
C222	C, CERAMIC 50 V 22 PF+-5%	CCC1007	1
C225	C, CERAMIC 50 V 22 PF+-5%	CCC1007	1
C226	C, CERAMIC 50 V 22 PF+-5%	CCC1007	1
C233	C, CERAMIC 50 V 1000 PF+80%-20%	CCC1029	1
C243	C, CERAMIC 50 V 1000 PF+80%-20%	CCC1029	1
C244	C, CERAMIC 50 V 1000 PF+80%-20%	CCC1029	1
C245	C, AL ELYC 25 V 10 UF	CEC0175	1

Simbol	Description	Code	Q'ty
C250	C, CERAMIC 50 V 1000 PF+80%-20%	CCC1029	1
C258	C, CERAMIC 50 V 1000 PF+80%-20%	CCC1029	1
C259	C, CERAMIC 50 V 1000 PF+80%-20%	CCC1029	1
C271	C, CERAMIC 50 V 5 PF+-0.25PF	CCC0999	1
C276	C, AL ELYC 25 V 10 UF	CEC0175	1
C277	C, AL ELYC 25 V 10 UF	CEC0175	1
C278	C, CERAMIC 50 V 15 PF+-5%	CCC1004	1
C279	C, CERAMIC 50 V 82 PF+-5%	CCC1032	1
C281	C, CERAMIC 50 V 5 PF+-0.25PF	CCC0999	1
C282	C, AL ELYC 25 V 10 UF	CEC0175	1
C287	C, CERAMIC 50 V10000 PF+80%-20%	CCC1030	1
C294	C, CERAMIC 50 V 15 PF+-5%	CCC1004	1
D6	DIODE 1S2075 T-D	HDS0108	1
D15	DIODE 1S2075K	HDS0108	1
D38	DIODE HZ7BT-D	HDH0040	1
D106	DIODE 1S2075 T-D	HDS0108	1
D115	DIODE 1S2075K	HDS0108	1
D138	DIODE HZ7BT-D	HDH0040	1
D221	DIODE 1S2075 T-D	HDS0108	1
D222	DIODE 1S2075 T-D	HDS0108	1
D224	DIODE 1S2075 T-D	HDS0108	1
D225	DIODE 1S2075 T-D	HDS0108	1
D226	DIODE 1S2075 T-D	HDS0108	1
D227	DIODE 1S2075 T-D	HDS0108	1
D228	DIODE 1S2075 T-D	HDS0108	1
D233	DIODE 1S2075 T-D	HDS0108	1
D246	DIODE 1S2075 T-D	HDS0108	1
D247	DIODE 1S2075 T-D	HDS0108	1
D248	DIODE 1S2075 T-D	HDS0108	1
D249	DIODE 1S2075 T-D	HDS0108	1

Simbol	Description		Code	Q'ty
D262	DIODE	1S2075 T-D	HDS0108	1
D263	DIODE	1S2075 T-D	HDS0108	1
D264	DIODE	1S2075 T-D	HDS0108	1
D265	DIODE	1S2075 T-D	HDS0108	1
D269	DIODE	1S2075 T-D	HDS0108	1
D272	DIODE	1S2075 T-D	HDS0108	1
D273	DIODE	1S2075 T-D	HDS0108	1
D278	DIODE	1S2075 T-D	HDS0108	1
D279	DIODE	1S2075 T-D	HDS0108	1
D280	DIODE	1S2075 T-D	HDS0108	1
D281	DIODE	1S2075 T-D	HDS0108	1
D282	DIODE	1S2075 T-D	HDS0108	1
D283	DIODE	1S2075 T-D	HDS0108	1
D284	DIODE	1S2075 T-D	HDS0108	1
D296	DIODE	1S2075 T-D	HDS0108	1
IC6	IC, ANALOG	TL071CP	ILT0041	1
IC106	IC, ANALOG	TL071CP	ILT0041	1
IC245	IC, DIGITAL	HD74LS09P	IDH0680	1
IC281	IC, DIGITAL	HD74LS109AP	IDH0713	1
L71	COIL	FL-3H R47M	TLF0052	1
L74A	CORE	L1-RH0303	HX841221	1
L75A	CORE	L1-RH0303	HX841221	1
L171	COIL	FL-3H R47M	TLF0052	1
L221A	COIL	FL-3H 100K	TLF0028	1
L225A	COIL	FL-3H 100K	TLF0028	1
L246A	COIL	FL-3H 100K	TLF0028	1
L262A	COIL	FL-3H 100K	TLF0028	1
L279	COIL	FL-3H R47M	TLF0052	1
L280	COIL	FL-3H R47M	TLF0052	1
P80	CONNECTOR	171825-6	JBX0470	1

Simbol	Description			Code	Q'ty	
P100	CONNECTOR	171825-4		JBX0704	1	
P200	CONNECTOR	171825-4		JBX0704	1	
P279	CONNECTOR	171825-4		JBX0704	1	
P280	CONNECTOR	171825-6		JBX0470	1	
P287	CONNECTOR	171825-3		JBX0468	1	
P300	CONNECTOR	171825-4		JBX0704	1	
P301	CONNECTOR	171825-4		JBX0704	1	
PEF495	PCB	PEF-495		116456	1	
P499	CONNECTOR	171825-3		JBX0468	1	
PEF530	PCB	PEF-499		116458	R	
R3	R, CARBON	1/4W	10	OHM +-5%	RCR3004	1
R4	R, CARBON	1/4W	6.8	OHM +-5%	RCR3003	1
R5	R, METAL	1/4W	500	KOHM +-0.5%	RME0828	1
R6	R, METAL	1/4W	500	KOHM +-0.5%	RME0828	1
R7	R, METAL	1/4W	22.1	KOHM +-1%	RME0680	1
RV7	VR, METAL	CR29R	22	KOHM	8348450	1
R8	R, CARBON	1/4W	6.8	KOHM +-5%	RCR3072	1
R9	R, CARBON	1/4W	220	OHM +-5%	RCR3036	1
R10	R, CARBON	1/4W	220	OHM +-5%	RCR3036	1
R11	R, CARBON	1/4W	2.2	KOHM +-5%	RCR3060	1
R12	R, CARBON	1/4W	10	KOHM +-5%	RCR3076	1
R13	R, CARBON	1/4W	3.3	KOHM +-5%	RCR3064	1
R14	R, CARBON	1/4W	220	OHM +-5%	RCR3036	1
R15	R, SOLID	1/4W	10	MOHM +-5%	RSE0434	1
R16	R, CARBON	1/4W	100	OHM +-5%	RCR3028	1
R17	R, CARBON	1/4W	680	OHM +-5%	RCR3048	1
R18	R, CARBON	1/4W	22	OHM +-5%	RCR3012	1
R21	R, METAL	1/4W	4.00	KOHM +-0.5%	RME0707	1
R22	R, METAL	1/4W	180	KOHM +-0.5%	RME0829	1
R23	R, CARBON	1/4W	22	OHM +-5%	RCR3012	1

Simbol	Description				Code	Q'ty
R24	R, CARBON	1/4W	22	OHM +-5%	RCR3012	1
R25	R, METAL	1/4W	16.0	KOHM +-0.5%	RME0830	1
R27	R, CARBON	1/4W	22	OHM +-5%	RCR3012	1
R28	R, METAL	1/4W	20.0	OHM +-0.5%	RME0831	1
R28B	R, METAL	1/4W	274	OHM+-1%	RME0715	1
R31	R, CARBON	1/4W	1.0	KOHM +-5%	RCR3052	1
R32	R, METAL	1/4W	562	OHM +-1%	RME0661	1
R33	R, CARBON	1/4W	560	OHM +-5%	RCR3046	1
RV33	VR, METAL	CR29R	470	OHM	HX8348450	1
R34	R, CARBON	1/4W	3.3	KOHM +-5%	RCR3064	1
R35	R, METAL	1/4W	475	OHM +-0.5%	RME0703	1
R36	R, CARBON	1/4W	220	OHM +-5%	RCR3036	1
R37	R, CARBON	1/4W	2.2	KOHM +-5%	RCR3060	1
R38	R, CARBON	1/4W	1.5	KOHM +-5%	RCR3056	1
R41	R, CARBON	1/4W	100	OHM +-5%	RCR3028	1
R42	R, CARBON	1/4W	22	OHM +-5%	RCR3012	1
R43	R, CARBON	1/4W	6.8	OHM +-5%	RCR3003	1
RV43	SW, ROTARY	ATT SW	FOR V-1050 W-RV		H 3142145	1
R44	R, CARBON	1/4W	100	OHM +-5%	RCR3028	1
R45	R, METAL	1/4W	332	OHM +-1%	RME0658	1
R46	R, CARBON	1/4W	180	OHM +-5%	RCR3034	1
R51	R, METAL	1/4W	150	OHM +-0.5%	RME0709	1
R52	R, METAL	1/4W	75.0	OHM +-0.5%	RME0832	1
R53	R, METAL	1/4W	75.0	OHM +-0.5%	RME0832	1
R55	R, CARBON	1/4W	18	OHM +-5%	RCR3010	1
R57	R, CARBON	1/4W	68	OHM +-5%	RCR3024	1
R58	R, CARBON	1/4W	22	OHM +-5%	RCR3012	1
R59	R, CARBON	1/4W	10	KOHM +-5%	RCR3076	1
R61	R, METAL	1/4W	2.21	KOHM +-1%	RME0668	1
R62	R, METAL	1/4W	2.21	KOHM +-1%	RME0668	1

Simbol	Description				Code	Q'ty
R63	R, CARBON	1/4W	6.8	OHM +-5%	RCR3003	1
RV63	VR, METAL	CR29R	100	OHM	HX8348450	1
R64	R, METAL	1/4W	47.5	OHM +-1%	RME0648	1
R65	R, CARBON	1/4W	10	KOHM +-5%	RCR3076	1
R66	R, CARBON	1/4W	33	OHM +-5%	RCR3016	1
R67	R, CARBON	1/4W	560	OHM +-5%	RCR3046	1
R67A	R, CARBON	1/4W	47	OHM +-5%	RCR3020	1
R68	R, CARBON	1/4W	560	OHM +-5%	RCR3046	1
R69	R, CARBON	1/4W	47	OHM +-5%	RCR3020	1
R70	R, METAL	1/4W	4.75	KOHM +-1%	RME0672	1
R70A	R, METAL	1/4W	4.75	KOHM +-1%	RME0672	1
R71	R, CARBON	1/4W	150	OHM +-5%	RCR3032	1
RV71	VR, CARBON	EVH-Y13K20B13			RDE0013	1
R72	R, CARBON	1/4W	150	OHM +-5%	RCR3032	1
R73	R, METAL	1/4W	825	OHM +-1%	RME0663	1
R73A	R, CARBON	1/4W	220	OHM +-5%	RCR3036	1
RV73	VR, METAL	CR29R	22	KOHM	H 8348450	1
R74	R, METAL	1/4W	825	OHM +-1%	RME0663	1
R75	R, CARBON	1/4W	220	OHM +-5%	RCR3036	1
R75A	R, CARBON	1/4W	22	OHM +-5%	RCR3012	1
R82	R, CARBON	1/4W	220	KOHM +-5%	RCR3102	1
R84	R, CARBON	1/4W	100	OHM +-5%	RCR3028	1
R85	R, CARBON	1/4W	100	OHM +-5%	RCR3028	1
R88	R, METAL	1/4W	47.5	OHM +-1%	RME0648	1
R90	R, CARBON	1/4W	470	OHM +-5%	RCR3044	1
R91	R, CARBON	1/4W	470	OHM +-5%	RCR3044	1
R92	R, CARBON	1/4W	10	OHM +-5%	RCR3004	1
R93	R, METAL	1/4W	562	OHM +-1%	RME0661	1
R94	R, METAL	1/4W	562	OHM +-1%	RME0661	1
R95	R, METAL	1/4W	392	OHM +-1%	RME0659	1

Simbol	Description				Code	Q'ty
R96	R, METAL	1/4W	221	OHM +-1%	RME0656	1
R96A	R, METAL	1/4W	221	OHM +-1%	RME0656	1
R97	R, CARBON	1/4W	1.5	KOHM +-5%	RCR3056	1
R97A	R, CARBON	1/4W	1.5	KOHM +-5%	RCR3056	1
R98	R, METAL	1/4W	71.5	OHM +-1%	RME0737	1
R98A	R, METAL	1/4W	71.5	OHM +-1%	RME0737	1
R99A	R, METAL	1/4W	2.21	KOHM +-1%	RME0668	1
R99B	R, METAL	1/4W	2.21	KOHM +-1%	RME0668	1
R103	R, CARBON	1/4W	10	OHM +-5%	RCR3004	1
R104	R, CARBON	1/4W	6.8	OHM +-5%	RCR3003	1
R105	R, METAL	1/4W	500	KOHM +-0.5%	RME0828	1
R106	R, METAL	1/4W	500	KOHM +-0.5%	RME0828	1
R107	R, METAL	1/4W	22.1	KOHM +-1%	RME0680	1
RV107	VR, METAL	CR29R	22	KOHM	H 8348450	1
R108	R, CARBON	1/4W	6.8	KOHM +-5%	RCR3072	1
R109	R, CARBON	1/4W	220	OHM +-5%	RCR3036	1
R110	R, CARBON	1/4W	220	OHM +-5%	RCR3036	1
R111	R, CARBON	1/4W	2.2	KOHM +-5%	RCR3060	1
R112	R, CARBON	1/4W	10	KOHM +-5%	RCR3076	1
R113	R, CARBON	1/4W	3.3	KOHM +-5%	RCR3064	1
R114	R, CARBON	1/4W	220	OHM +-5%	RCR3036	1
R115	R, SOLID	1/4W	10	MOHM +-5%	RSE0434	1
R116	R, CARBON	1/4W	100	OHM +-5%	RCR3028	1
R117	R, CARBON	1/4W	680	OHM +-5%	RCR3048	1
R118	R, CARBON	1/4W	22	OHM +-5%	RCR3012	1
R121	R, METAL	1/4W	4.00	KOHM +-0.5%	RME0707	1
R122	R, METAL	1/4W	180	KOHM +-0.5%	RME0829	1
R123	R, CARBON	1/4W	22	OHM +-5%	RCR3012	1
R124	R, CARBON	1/4W	22	OHM +-5%	RCR3012	1
R125	R, METAL	1/4W	16	KOHM +-0.5%	RME0830	1

Simbol	Description				Code	Q'ty
R127	R, CARBON	1/4W	22	OHM +-5%	RCR3012	1
R128	R, METAL	1/4W	20.0	OHM +-0.5%	RME0831	1
R128B	R, METAL	1/4W	274	OHM +-1%	RME0715	1
R131	R, CARBON	1/4W	1.0	KOHM +-5%	RCR3052	1
R132	R, METAL	1/4W	562	OHM +-1%	RME0661	1
R133	R, CARBON	1/4W	560	OHM +-5%	RCR3046	1
RV133	VR, METAL	CR29R	470	OHM	HX8348450	1
R134	R, CARBON	1/4W	3.3	KOHM +-5%	RCR3064	1
R135	R, METAL	1/4W	475	OHM +-0.5%	RME0703	1
R136	R, CARBON	1/4W	220	OHM +-5%	RCR3036	1
R137	R, CARBON	1/4W	2.2	KOHM +-5%	RCR3060	1
R138	R, CARBON	1/4W	1.5	KOHM +-5%	RCR3056	1
R141	R, CARBON	1/4W	100	OHM +-5%	RCR3028	1
R142	R, CARBON	1/4W	22	OHM +-5%	RCR3012	1
R143	R, CARBON	1/4W	6.8	OHM +-5%	RCR3003	1
RV143	SW, ROTARY	ATT SW	FOR V-1050 W/RV		H 3142145	R
R144	R, CARBON	1/4W	100	OHM +-5%	RCR3028	1
R145	R, METAL	1/4W	332	OHM +-1%	RME0658	1
R146	R, CARBON	1/4W	180	OHM +-5%	RCR3034	1
R151	R, METAL	1/4W	150	OHM +-0.5%	RME0709	1
R152	R, METAL	1/4W	75.0	OHM +-0.5%	RME0832	1
R153	R, METAL	1/4W	75.0	OHM +-0.5%	RME0832	1
R155	R, CARBON	1/4W	18	OHM +-5%	RCR3010	1
R157	R, CARBON	1/4W	68	OHM +-5%	RCR3024	1
R158	R, CARBON	1/4W	22	OHM +-5%	RCR3012	1
R159	R, CARBON	1/4W	10	KOHM +-5%	RCR3076	1
R160	R, CARBON	1/4W	120	OHM +-5%	RCR3030	1
RV160	VR, METAL	CR29R	100	OHM	HX8348450	1
R161	R, METAL	1/4W	2.21	KOHM +-1%	RME0668	1
R162	R, METAL	1/4W	2.21	KOHM +-1%	RME0668	1



Simbol	Description				Code	Q'ty
R163	R, CARBON	1/4W	22	OHM +-5%	RCR3012	1
RV163	VR, METAL	CR29R	100	OHM	HX8348450	1
R164	R, METAL	1/4W	68.1	OHM +-1%	RME0650	1
R165	R, CARBON	1/4W	10	KOHM +-5%	RCR3076	1
R166	R, CARBON	1/4W	33	OHM +-5%	RCR3016	1
R167	R, CARBON	1/4W	560	OHM +-5%	RCR3046	1
R167A	R, CARBON	1/4W	47	OHM +-5%	RCR3020	1
R168	R, CARBON	1/4W	560	OHM +-5%	RCR3046	1
R169	R, CARBON	1/4W	47	OHM +-5%	RCR3020	1
R170	R, METAL	1/4W	4.75	KOHM +-1%	RME0672	1
R170A	R, METAL	1/4W	4.75	KOHM +-1%	RME0672	1
R171	R, CARBON	1/4W	150	OHM +-5%	RCR3032	1
RV171	VR, CARBON	EVH-Y13K20B13			RDE0013	1
R172	R, CARBON	1/4W	150	OHM +-5%	RCR3032	1
R173	R, METAL	1/4W	825	OHM +-1%	RME0663	1
RV173	VR, METAL	CR29R	22	KOHM	H 8348450	1
R174	R, METAL	1/4W	825	OHM +-1%	RME0663	1
R175	R, CARBON	1/4W	220	OHM +-5%	RCR3036	1
R176	R, CARBON	1/4W	220	OHM +-5%	RCR3036	1
R177	R, CARBON	1/4W	2.2	KOHM +-5%	RCR3060	1
R177A	R, CARBON	1/4W	10	OHM +-5%	RCR3004	1
R178	R, CARBON	1/4W	2.2	KOHM +-5%	RCR3060	1
R178A	R, CARBON	1/4W	10	OHM +-5%	RCR3004	1
R182	R, CARBON	1/4W	220	KOHM +-5%	RCR3102	1
R184	R, CARBON	1/4W	100	OHM +-5%	RCR3028	1
R185	R, CARBON	1/4W	100	OHM +-5%	RCR3028	1
R188	R, METAL	1/4W	47.5	OHM +-1%	RME0648	1
R190	R, CARBON	1/4W	470	OHM +-5%	RCR3044	1
R191	R, CARBON	1/4W	470	OHM +-5%	RCR3044	1
R192	R, CARBON	1/4W	10	OHM +-5%	RCR3004	1

Simbol	Description				Code	Q'ty
R193	R, METAL	1/4W	562	OHM +-1%	RME0661	1
R194	R, METAL	1/4W	562	OHM +-1%	RME0661	1
R195	R, METAL	1/4W	392	OHM +-1%	RME0659	1
R196	R, METAL	1/4W	221	OHM +-1%	RME0656	1
R196A	R, METAL	1/4W	221	OHM +-1%	RME0656	1
R197	R, CARBON	1/4W	1.5	KOHM +-5%	RCR3056	1
R197A	R, CARBON	1/4W	1.5	KOHM +-5%	RCR3056	1
R198	R, METAL	1/4W	71.5	OHM +-1%	RME0737	1
R198A	R, METAL	1/4W	71.5	OHM +-1%	RME0737	1
R199A	R, METAL	1/4W	2.21	KOHM +-1%	RME0668	1
R199B	R, METAL	1/4W	2.21	KOHM +-1%	RME0668	1
R221A	R, CARBON	1/4W	1	KOHM +-5%	RCR3052	1
R221	R, CARBON	1/4W	47	OHM +-5%	RCR3020	1
R222	R, CARBON	1/4W	47	OHM +-5%	RCR3020	1
R225A	R, CARBON	1/4W	1	KOHM +-5%	RCR3052	1
R225	R, CARBON	1/4W	47	OHM +-5%	RCR3020	1
R226	R, CARBON	1/4W	47	OHM +-5%	RCR3020	1
R231	R, CARBON	1/4W	2.7	KOHM +-5%	RCR3062	1
RV231	VR, METAL	CR29R	4.7	KOHM	HX8348450	1
R232	R, CARBON	1/4W	2.2	KOHM +-5%	RCR3060	1
R233	R, CARBON	1/4W	120	OHM +-5%	RCR3030	1
R234	R, CARBON	1/4W	120	OHM +-5%	RCR3030	1
R237	R, METAL	1/4W	182	OHM +-1%	RME0655	1
R241	R, METAL	1/4W	1.21	KOHM +-1%	RME0665	1
R242	R, METAL	1/4W	1.21	KOHM +-1%	RME0665	1
R243	R, CARBON	1/4W	220	OHM +-5%	RCR3036	1
R244	R, CARBON	1/4W	220	OHM +-5%	RCR3012	1
R245	R, CARBON	1/4W	22	OHM +-5%	RCR3036	1
R246A	R, CARBON	1/4W	1	KOHM +-5%	RCR3052	1
R248	R, CARBON	1/4W	1.8	KOHM +-5%	RCR3058	1

Simbol	Description				Code	Q'ty
R249	R, CARBON	1/4W	2.2	KOHM +-5%	RCR3060	1
RV249	VR, METAL	CR19R	4.7	KOHM	RDC0003	1
R250	R, CARBON	1/4W	120	OHM +-5%	RCR3030	1
R252	R, CARBON	1/4W	120	OHM +-5%	RCR3030	1
R254	R, METAL	1/4W	182	OHM +-1%	RME0655	1
R256	R, METAL	1/4W	1.21	KOHM +-1%	RME0665	1
R257	R, METAL	1/4W	1.21	KOHM +-1%	RME0665	1
R258	R, CARBON	1/4W	220	OHM +-5%	RCR3036	1
R259	R, CARBON	1/4W	220	OHM +-5%	RCR3036	1
R262A	R, CARBON	1/4W	1	KOHM +-5%	RCR3052	1
R265	R, CARBON	1/4W	2.2	KOHM +-5%	RCR3060	1
R266	R, CARBON	1/4W	10	KOHM +-5%	RCR3076	1
R267	R, CARBON	1/4W	6.8	KOHM +-5%	RCR3072	1
R268	R, CARBON	1/4W	10	KOHM +-5%	RCR3076	1
R269	R, METAL	1/4W	2.67	KOHM +-1%	RME0669	1
R270	R, METAL	1/4W	2.67	KOHM +-1%	RME0669	1
R271	R, METAL	1/4W	221	OHM +-1%	RME0656	1
R271A	R, CARBON	1/4W	150	OHM +-5%	RCR3032	1
R272	R, METAL	1/4W	221	OHM +-1%	RME0656	1
R273	R, METAL	1/4W	1.00	KOHM +-1%	RME0664	1
R274	R, METAL	1/4W	1.00	KOHM +-1%	RME0664	1
R275	R, METAL	1/4W	1.00	KOHM +-1%	RME0664	1
R276	R, CARBON	1/4W	33	OHM +-5%	RCR3016	1
R277	R, METAL	1/4W	750	OHM +-1%	RCR0827	1
R278	R, METAL	1/4W	750	OHM +-1%	RME0827	1
R279	R, METAL	1/4W	86.6	OHM +-0.5%	RME0713	1
R280	R, METAL	1/4W	86.6	OHM +-0.5%	RME0713	1
R281	R, CARBON	1/4W	330	OHM +-5%	RCR3040	1
R282	R, CARBON	1/4W	22	OHM +-5%	RCR3012	1
R283	R, METAL	1/4W	392	OHM +-1%	RME0659	1

Simbol	Description				Code	Q'ty
R284	R, METAL	1/4W	392	OHM +-1%	RME0659	1
R285	R, CARBON	1/4W	100	OHM +-5%	RCR3028	1
R286	R, CARBON	1/4W	100	OHM +-5%	RCR3028	1
R286A	R, CARBON	1/4W	150	OHM +-5%	RCR3032	1
R287	R, CARBON	1/4W	10	KOHM +-5%	RCR3076	1
R288	R, CARBON	1/4W	150	OHM +-5%	RCR3032	1
R289	R, METAL	1/4W	1.50	KOHM +-1%	RME0666	1
R290	R, METAL	1/4W	3.32	KOHM +-1%	RME0670	1
R291	R, METAL	1/4W	825	OHM +-1%	RME0663	1
R291B	R, METAL	1/4W	825	OHM +-1%	RME0663	1
R292	R, METAL	1/4W	4.75	KOHM +-1%	RME0672	1
R293	R, METAL	1/4W	2.43	KOHM +-1%	RME0799	1
R294	R, METAL	1/4W	3.92	KOHM +-1%	RME0671	1
R295	R, METAL	1/4W	4.75	KOHM +-1%	RME0672	1
R296	R, CARBON	1/4W	4.7	KOHM +-5%	RCR3068	1
R297	R, METAL	1/4W	1.50	KOHM +-1%	RME0666	1
S2	SW, ROTARY	ATT SW	FOR V-1050 W/RV		H 3142145	1
S102	SW, ROTARY	ATT SW	FOR V-1050 W/RV		H 3142145	1
S178	SW, PUSH	UEG22-2		HX8311793	1	
S279	SW, PB	SPJR TYPE		H 3159320	1	
S281	SW, LEVER	SLA225		SSL0056	1	
S282	SW, PUSH	UEG22-2		HX8311793	1	
TR4	TRANSISTOR	2SK55D		HTK0051	1	
TR14	TRANSISTOR	2SC1906		HTC0338	1	
TR36	TRANSISTOR	2SC1674K		HTC0557	1	
TR38	TRANSISTOR	2SA781K		HTA0099	1	
TR42	TRANSISTOR	2SC1906		HTC0338	1	
TR58	TRANSISTOR	2SC2026		HTC0400	1	
TR66	TRANSISTOR	2SC2026		HTC0400	1	
TR73	TRANSISTOR	2SA781K		HTA0099	1	

Simbol	Description	Code	Q'ty
TR74	TRANSISTOR 2SA781K	HTA0099	1
TR86	TRANSISTOR 2SC1906	HTC0338	1
TR87	TRANSISTOR 2SC1906	HTC0338	1
TR93	TRANSISTOR 2SA781K	HTA0099	1
TR94	TRANSISTOR 2SA781K	HTA0099	1
TR104	TRANSISTOR 2SK55 D	HTK0051	1
TR114	TRANSISTOR 2SC1906	HTC0338	1
TR136	TRANSISTOR 2SC1674 K	HTC0557	1
TR138	TRANSISTOR 2SA781 K	HTA0099	1
TR142	TRANSISTOR 2SC1906	HTC0338	1
TR158	TRANSISTOR 2SC2026	HTC0400	1
TR166	TRANSISTOR 2SC2026	HTC0400	1
TR173	TRANSISTOR 2SA781 K	HTA0099	1
TR174	TRANSISTOR 2SA781 K	HTA0099	1
TR178	TRANSISTOR 2SA781 K	HTA0099	1
TR179	TRANSISTOR 2SA781 K	HTA0099	1
TR186	TRANSISTOR 2SC1906	HTC0338	1
TR187	TRANSISTOR 2SC1906	HTC0338	1
TR193	TRANSISTOR 2SA781K	HTA0099	1
TR194	TRANSISTOR 2SA781K	HTA0099	1
TR243	TRANSISTOR 2SA781 K	HTA0099	1
TR244	TRANSISTOR 2SA781 K	HTA0099	1
TR258	TRANSISTOR 2SA781 K	HTA0099	1
TR259	TRANSISTOR 2SA781 K	HTA0099	1
TR265	TRANSISTOR 2SA1029 D	HTA0224	1
TR268	TRANSISTOR 2SC641K-C	HTC0192	1
TR271	TRANSISTOR 2SC1747	HTC0496	1
TR272	TRANSISTOR 2SC1747	HTC0496	1
TR285	TRANSISTOR 2SC1906	HTC0338	1
TR286	TRANSISTOR 2SC1906	HTC0338	1

Simbol	Description	Code	Q'ty
TR291	TRANSISTOR 2SC458C	HTC0148	1
TR292	TRANSISTOR 2SC458C	HTC0148	1
	TERMINAL FT-E-12	ETS0005	1
	TERMINAL FT-E-12	ETS0005	1

## ELECTRICAL REPLACEABLE PARTS LIST CIRCUIT BOARD (PEF-496)

Simbol	Description	Code	Q'ty
C202	C, CERAMIC 50 V 1 PF+-0.25PF	CCC1133	1
C203	C, CERAMIC 50 V 10 PF+-5%	CCC1002	1
C206	C, CERAMIC 50 V 47 PF+-5%	CCC1014	1
C207	C, CERAMIC 50 V 1000 PF+80%-20%	CCC1029	1
C211	C, AL ELYC 25 V 10 UF	CEC0175	1
C212	C, AL ELYC 16 V 47 UF	CEC0170	1
C213	C, AL ELYC 25 V 10 UF	CEC0175	1
C214	C, CERAMIC 50 V 5 PF+-0.25PF	CCC0769	1
C219	C, AL ELYC 25 V 10 UF	CEC0175	1
C302	C, CERAMIC 50 V 1 PF+-0.25PF	CCC1133	1
C303	C, CERAMIC 50 V 5 PF+-0.25PF	CCC1007	1
C306	C, CERAMIC 50 V 1000 PF+80%-20%	CCC1029	1
C307	C, CERAMIC 50 V 1000 PF+80%-20%	CCC1029	1
C311	C, AL ELYC 25 V 10 UF	CEC0175	1
C313	C, AL ELYC 25 V 10 UF	CEC0175	1
C314	C, CERAMIC 50 V 5 PF+-0.25PF	CCC0769	1
C319	C, AL ELYC 25 V 10 UF	CEC0175	1
C420	C, CERAMIC 50 V 10 PF+-0.5PF	CCC1002	1
C421	C, CERAMIC 500 V 33 PF+5%	CCC1225	1
C424	C, CERAMIC 50 V 5 PF+-0.25PF	CCC0999	1
C425	C, CERAMIC 50 V 39 PF+-5%	CCC1013	1
C426	C, CERAMIC 50 V 330 PF+-10%	CCC1160	1
C429	C, CERAMIC 50 V 5 PF+-0.25PF	CCC0999	1
C421A	C, CERAMIC 50 V 5 PF+-0.25PF	CCC0999	1
C431	C, CERAMIC 500 V 1000 PF+-10%	CCD0217	1
C432	C, PLASTIC 600 V22000 PF+-10%	CQX0071	1
C437	C, AL ELYC 25 V 10 UF	CEC0175	1
C438	C, CERAMIC 50 V10000 PF+80%-20%	CCC1030	1
C439	C, AL ELYC 25 V 10 UF	CEC0175	1
C443	C, PLASTIC 50 V47000 PF+-10%	CQA0101	1

Simbol	Description				Code	Q'ty
C444	C, CERAMIC	50 V	1	PF+-0.25PF	CCC1133	1
C445	C, CERAMIC	50 V	22	PF+-5%	CCC1007	1
C446	C, PLASTIC	50 V	47000	PF+-10%	CQA0101	1
C447	C, CERAMIC	50 V	10000	PF+80%-20%	CCC1030	1
C447A	C, CERAMIC	50 V	10000	PF+80%-20%	CCC1030	1
C451	C, CERAMIC	50 V	10000	PF+80%-20%	CCC1030	1
C453	C, CERAMIC	50 V	10000	PF+80%-20%	CCC1030	1
C455	C, CERAMIC	50 V	47	PF+-10%	CCC1014	1
C456	C, AL ELYC	50 V	1	UF B1-POLE	CET0031	1
C457	C, AL ELYC	25 V	10	UF NP	CEC0176	1
C458	C, CERAMIC	50 V	1000	PF+-10%	CCC1029	1
C462	C, CERAMIC	50 V	2	PF+-0.25PF	CCC0996	1
C463	C, CERAMIC	50 V	2	PF+-0.25PF	CCC0996	1
C465	C, PLASTIC	50 V	4700	PF+-10%	CQA0095	1
C468	C, PLASTIC	50 V	4700	PF+-10%	CQA0095	1
C470	C, PLASTIC	50 V	10000	PF+-10%	CCC1030	1
C471	C, PLASTIC	50 V	1000	PF+-10%	CQA0091	1
C476	C, CERAMIC	50 V	47	PF+-10%	CCC1014	1
C483	C, CERAMIC	50 V	100	PF+-10%	CCC1025	1
C487	C, AL ELYC	25 V	10	UF	CEC0175	1
C488	C, AL ELYC	16 V	47	UF	CEC0170	1
C489	C, AL ELYC	25 V	10	UF	CEC0175	1
C490	C, CERAMIC	50 V	10000	PF+80%-20%	CCC1030	1
C492	C, CERAMIC	50 V	10000	PF+80%-20%	CCC1030	1
C492A	C, PLASTIC	50 V	10000	PF+-10%	CQA0097	1
C493	C, CERAMIC	50 V	10000	PF+80%-20%	CCC1030	1
C494	C, AL ELYC	25 V	10	UF	CEC0175	1
C496	C, AL ELYC	25 V	10	UF NP	CEC0176	1
C601	C, CERAMIC	500 V	33	PF+-5%	CCC1225	1
C603	C, CERAMIC	500 V	10	PF+-10%	CCC0772	1



Simbol	Description	Code	Q'ty
C606	C, PLASTIC 600 V22000 PF+-10%	CQX0071	1
C607	C, CERAMIC 50 V10000 PF+80%-20%	CCC1030	1
C608	C, AL ELYC 25 V 10 UF	CEC0175	1
C609	C, CERAMIC 50 V10000 PF+80%-20%	CCC1030	1
C610	C, AL ELYC 25 V 10 UF	CEC0175	1
C612	C, CERAMIC 50 V10000 PF+80%-20%	CCC1030	1
C617	C, CERAMIC 50 V10000 PF+80%-20%	CCC1030	1
C618	C, CERAMIC 50 V10000 PF+80%-20%	CCC1030	1
C619	C, CERAMIC 50 V 47 PF+-10%	CCC1014	1
C622	C, AL ELYC 50 V 1 UF	CET0031	1
C633	C, CERAMIC 50 V 12 PF+-0.5PF	CCC1003	1
C634	C, CERAMIC 50 V10000 PF+80%-20%	CCC1030	1
C641	C, CERAMIC 50 V 47 PF+-10%	CCC1014	1
C652	C, CERAMIC 50 V10000 PF+80%-20%	CCC1030	1
C693	C, CERAMIC 50 V10000 PF+80%-20%	CCC1030	1
C694	C, CERAMIC 50 V10000 PF+80%-20%	CCC1030	1
C694A	C, CERAMIC 50 V10000 PF+80%-20%	CCC1030	1
C695	C, CERAMIC 50 V10000 PF+80%-20%	CCC1030	1
CV423	C, VARIABLE ECV-1ZW 20 × 93	HX3142155	1
CV603	C, VARIABLE ECV-1ZW 20 × 93	HX3142155	1
D211	DIODE 1S2075K	HDS0108	1
D311	DIODE 1S2075K	HDS0108	1
D431	DIODE 1S2075 T-D	HDS0108	1
D432	DIODE 1S2075 T-D	HDS0108	1
D434	DIODE MA161	HDM0051	1
D435	DIODE 1S2075 T-D	HDS0108	1
D436	DIODE 1S2075 T-D	HDS0108	1
D447A	DIODE 1S2075 T-D	HDS0108	1
D470	DIODE 1S2075 T-D	HDS0108	1
D488	DIODE SR503D WITH MOUNT (RED)	HDS0408	1

Simbol	Description	Code	Q'ty
D490	DIODE 1S2075 T-D	HDS0108	1
D491	DIODE 1S2075 T-D	HDS0108	1
D492	DIODE 1S2075 T-D	HDS0108	1
D607	DIODE MA161	HDM0051	1
D608	DIODE 1S2075 T-D	HDS0108	1
D609	DIODE 1S2075 T-D	HDS0108	1
D612	DIODE 1S2075 T-D	HDS0108	1
D692	DIODE 1S2075 T-D	HDS0108	1
IC430	IC,ANALOG TL071CP	ILT0041	1
IC450	IC,ANALOG CA3102E	ILC0069	1
IC460	DIGITAL IC HD10131	IDH0008	1
IC461	IC HD10116	IDH0005	1
IC462	DIGITAL IC HD10102	IDH0002	1
IC463	IC HA17901P	ILH0096	1
IC470	ANALOG IC HA17741PS	ILH0088	1
IC620	IC,ANALOG CA3102E	ILC0069	1
IC621	IC HD10116	IDH0005	1
IC622	DIGITAL IC HD10102	IDH0002	1
IC623	DIGITAL IC HD10131	IDH0008	1
IC651	DIGITAL IC HD10102	IDH0002	1
L212	COIL FL-5H 330K	TLF0019	1
L458	COIL FL-3H R22M	TLF0003	1
L459	COIL FL-3H R22M	TLF0003	1
L623	COIL FL-3H R22M	TLF0003	1
L624	COIL FL-3H R22M	TLF0003	1
P400	CONNECTOR 1-171826-0	JBX1712	1
P401	CONNECTOR 171825-4	JBX0704	1
P402	CONNECTOR 171825-4	JBX0704	1
P403	CONNECTOR 171825-4	JBX0704	1
P404	CONNECTOR 171825-4	JBX0704	1

Simbol	Description				Code	Q'ty
P410	CONNECTOR	171826-3			JBX1710	1
P422	CONNECTOR	171825-3			JBX0468	1
P460	CONNECTOR	171826-6			JBX1711	1
P488	CONNECTOR	171826-3			JBX1710	1
P602	CONNECTOR	171825-3			JBX0468	1
PEF496	PCB	PEF-496-497			H 116457	R
R201	R, METAL	1/4W	100	OHM +-1%	RME0652	1
R201B	R, METAL	1/4W	100	OHM +-1%	RME0652	1
R202	R, CARBON	1/4W	1.0	KOHM +-5%	RCR3052	1
R203	R, METAL	1/4W	121	OHM +-1%	RME0653	1
R204	R, METAL	1/4W	1.21	KOHM +-1%	RME0665	1
R205	R, METAL	1/4W	1.21	KOHM +-1%	RME0665	1
R206	R, CARBON	1/4W	270	OHM +-5%	RCR3038	1
R207	R, CARBON	1/4W	150	OHM +-5%	RCR3032	1
R208	R, CARBON	1/4W	390	OHM +-5%	RCR3042	1
R206A	R, METAL	1/4W	2.43	KOHM +-1%	RME0799	1
R211	R, CARBON	1/4W	270	OHM +-5%	RCR3038	1
R214	R, METAL	1/4W	392	OHM +-1%	RME0659	1
R215	R, CARBON	1/4W	47	OHM +-5%	RCR3020	1
R216	R, CARBON	1/4W	47	OHM +-5%	RCR3020	1
R217	R, CARBON	1/4W	1.5	KOHM +-5%	RCR3056	1
R219	R, CARBON	1/4W	1.5	KOHM +-5%	RCR3056	1
R220	R, CARBON	1/4W	22	OHM +-5%	RCR3012	1
R301	R, METAL	1/4W	100	OHM +-1%	RME0652	1
R301B	R, METAL	1/4W	100	OHM +-1%	RME0652	1
R302	R, CARBON	1/4W	1.0	KOHM +-5%	RCR3052	1
R303	R, METAL	1/4W	121	OHM +-1%	RME0653	1
R304	R, METAL	1/4W	1.21	KOHM +-1%	RME0665	1
R305	R, METAL	1/4W	1.21	KOHM +-1%	RME0665	1
R306	R, CARBON	1/4W	220	OHM +-5%	RCR3036	1

Simbol	Description				Code	Q'ty
R307	R, CARBON	1/4W	150	OHM +-5%	RCR3032	1
R311	R, CARBON	1/4W	270	OHM +-5%	RCR3038	1
R314	R, METAL	1/4W	392	OHM +-1%	RME0659	1
R315	R, CARBON	1/4W	47	OHM +-5%	RCR3020	1
R316	R, CARBON	1/4W	47	OHM +-5%	RCR3020	1
R317	R, CARBON	1/4W	1.5	KOHM +-5%	RCR3056	1
R319	R, CARBON	1/4W	1.8	KOHM +-5%	RCR3058	1
R320	R, CARBON	1/4W	22	OHM +-5%	RCR3012	1
R421	R, CARBON	1/4W	180	OHM +-5%	RCR3034	1
R421A	R, SOLID	1/4W	10	MOHM +-5%	RSE0434	1
R422	R, CARBON	1/4W	470	KOHM +-5%	RCR3104	1
R423	R, CARBON	1/4W	47	OHM +-5%	RCR3020	1
R424	R, CARBON	1/4W	470	KOHM +-5%	RCR3104	1
R425	R, CARBON	1/4W	1.2	KOHM +-5%	RCR3054	1
R426	R, CARBON	1/4W	100	OHM +-5%	RCR3028	1
R427	R, METAL	1/4W	267	OHM +-1%	RME0657	1
R427A	R, CARBON	1/4W	56	KOHM +-5%	RCR3094	1
R428	R, CARBON	1/4W	150	OHM +-5%	RCR3032	1
R429	R, CARBON	1/4W	330	OHM +-5%	RCR3040	1
R429A	R, METAL	1/4W	2.21	KOHM +-1%	RME0668	1
R429B	R, METAL	1/4W	2.21	KOHM +-1%	RME0668	1
R429C	R, METAL	1/4W	100	OHM +-1%	RME0652	1
R429D	R, METAL	1/4W	100	OHM +-1%	RME0652	1
R430	R, CARBON	1/4W	3.3	KOHM +-5%	RCR3064	1
R431	R, METAL	1/4W	392	KOHM +-1%	RME0722	1
R431A	R, CARBON	1/4W	4.7	KOHM +-5%	RCR3068	1
R432	R, METAL	1/4W	100	KOHM +-1%	RME0688	1
R433	R, SOLID	1/4W	10	MOHM +-5%	RSE0434	1
R434	R, CARBON	1/4W	47	OHM +-5%	RCR3020	1
R435	R, CARBON	1/4W	6.8	KOHM +-5%	RCR3072	1

Simbol	Description				Code	Q'ty
R436	R, CARBON	1/4W	10	KOHM +-5%	RCR3076	1
R437	R, CARBON	1/4W	330	OHM +-5%	RCR3040	1
R438	R, CARBON	1/4W	100	OHM +-5%	RCR3028	1
R439	R, CARBON	1/4W	2.2	KOHM +-5%	RCR3060	1
R440	R, CARBON	1/4W	6.8	KOHM +-5%	RCR3072	1
R440B	R, CARBON	1/4W	15	KOHM +-5%	RCR3080	1
R441	R, CARBON	1/4W	15	KOHM +-5%	RCR3080	1
R442	R, METAL	1/4W	100	KOHM +-1%	RME0688	1
R443	R, CARBON	1/4W	100	OHM +-5%	RCR3028	1
R444	R, METAL	1/4W	365	KOHM +-1%	RME0697	1
R445	R, CARBON	1/4W	33	OHM +-5%	RCR3016	1
R446	R, CARBON	1/4W	560	OHM +-5%	RCR3046	1
R447	R, CARBON	1/4W	2.2	KOHM +-5%	RCR3060	1
R448	R, CARBON	1/4W	47	OHM +-5%	RCR3020	1
R449	R, CARBON	1/4W	150	OHM +-5%	RCR3032	1
R450	R, CARBON	1/4W	1.0	KOHM +-5%	RCR3052	1
R450A	R, CARBON	1/4W	2.2	KOHM +-5%	RCR3060	1
R451	R, CARBON	1/4W	47	OHM +-5%	RCR3020	1
R451A	R, CARBON	1/4W	47	OHM +-5%	RCR3020	1
R452	R, CARBON	1/4W	1.0	KOHM +-5%	RCR3052	1
R452A	R, CARBON	1/4W	2.2	KOHM +-5%	RCR3060	1
R453	R, CARBON	1/4W	47	OHM +-5%	RCR3020	1
R453A	R, CARBON	1/4W	47	OHM +-5%	RCR3020	1
R454	R, METAL	1/4W	1.00	KOHM +-1%	RME0664	1
R455	R, CARBON	1/4W	22	OHM +-5%	RCR3012	1
R456	R, CARBON	1/4W	220	OHM +-5%	RCR3036	1
R456A	R, CARBON	1/4W	6.8	OHM +-5%	RCR3003	1
R457	R, CARBON	1/4W	3.3	KOHM +-5%	RCR3064	1
R447A	R, CARBON	1/4W	10	KOHM +-5%	RCR3076	1
R458	R, CARBON	1/4W	820	OHM +-5%	RCR3050	1

Simbol	Description				Code	Q'ty
R458A	R, METAL	1/4W	121	OHM +-1%	RME0653	1
R459	R, CARBON	1/4W	820	OHM +-5%	RCR3050	1
R459A	R, METAL	1/4W	121	OHM +-1%	RME0653	1
R462	R, METAL	1/4W	221	OHM +-1%	RME0656	1
R463	R, METAL	1/4W	221	OHM +-1%	RME0656	1
R464	R, CARBON	1/4W	470	OHM +-5%	RCR3044	1
R464A	R, CARBON	1/4W	100	OHM +-5%	RCR3028	1
R465	R, CARBON	1/4W	470	OHM +-5%	RCR3044	1
R466	R, CARBON	1/4W	680	OHM +-5%	RCR3048	1
R467	R, CARBON	1/4W	680	OHM +-5%	RCR3048	1
R468	R, CARBON	1/4W	2.2	KOHM +-5%	RCR3060	1
R469	R, CARBON	1/4W	1.5	KOHM +-5%	RCR3056	1
R469A	R, METAL	1/4W	392	KOHM +-1%	RME0722	1
R469B	R, CARBON	1/4W	1.5	KOHM +-5%	RCR3056	1
R470	R, CARBON	1/4W	10	OHM +-5%	RCR3004	1
R470A	R, CARBON	1/4W	680	KOHM +-5%	RCR3105	1
R470B	R, CARBON	1/4W	4.7	KOHM +-5%	RCR3068	1
R470C	R, CARBON	1/4W	3.3	KOHM +-5%	RCR3064	1
R471	R, CARBON	1/4W	1.0	KOHM +-5%	RCR3052	1
R472	R, CARBON	1/4W	100	KOHM +-5%	RCR3100	1
R473	R, CARBON	1/4W	680	OHM +-5%	RCR3048	1
R473A	R, CARBON	1/4W	47	OHM +-5%	RCR3020	1
R474	R, METAL	1/4W	475	OHM +-1%	RME0660	1
R475	R, CARBON	1/4W	10	OHM +-5%	RCR3004	1
R476	R, CARBON	1/4W	10	OHM +-5%	RCR3004	1
R477	R, CARBON	1/4W	470	OHM +-5%	RCR3044	1
R478	R, CARBON	1/4W	820	OHM +-5%	RCR3050	1
R479	R, CARBON	1/4W	820	OHM +-5%	RCR3050	1
R480	R, CARBON	1/4W	1.0	KOHM +-5%	RCR3052	1
R481	R, CARBON	1/4W	1.0	KOHM +-5%	RCR3052	1

Simbol	Description				Code	Q'ty
R482	R, CARBON	1/4W	220	OHM +-5%	RCR3036	1
R483	R, SOLID	1/4W	10	MOHM +-5%	RSE0434	1
R484	R, CARBON	1/4W	1.0	KOHM +-5%	RCR3052	1
R485	R, CARBON	1/4W	100	OHM +-5%	RCR3028	1
R487	R, CARBON	1/4W	3.3	KOHM +-5%	RCR3064	1
R488	R, CARBON	1/4W	10	KOHM +-5%	RCR3076	1
R489	R, CARBON	1/4W	470	OHM +-5%	RCR3044	1
R490	R, CARBON	1/4W	6.8	OHM +-5%	RCR3003	;
R491	R, CARBON	1/4W	4.7	KOHM +-5%	RCR3068	1
R492	R, CARBON	1/4W	6.8	OHM +-5%	RCR3003	1
R492A	R, CARBON	1/4W	6.8	OHM +-5%	RCR3003	1
R493	R, CARBON	1/4W	6.8	OHM +-5%	RCR3003	1
R494	R, CARBON	1/4W	6.8	KOHM +-5%	RCR3072	1
R495	R, CARBON	1/4W	2.2	KOHM +-5%	RCR3060	1
R496	R, CARBON	1/4W	22	OHM +-5%	RCR3012	1
R496A	R, CARBON	1/4W	470	OHM +-5%	RCR3044	1
R497	R, CARBON	1/4W	100	KOHM +-5%	RCR3100	1
R498	R, CARBON	1/4W	4.7	KOHM +-5%	RCR3068	
R498A	R, CARBON	1/4W	100	KOHM +-5%	RCR3100	1
R499	R, CARBON	1/4W	100	KOHM +-5%	RCR3100	1
R499A	R, CARBON	1/4W	220	KOHM +-5%	RCR3102	1
R499B	R, CARBON	1/4W	3.3	KOHM +-5%	RCR3064	1
R601	R, CARBON	1/4W	100	OHM +-5%	RCR3028	1
R602	R, CARBON	1/4W	470	KOHM +-5%	RCR3104	1
R603	R, CARBON	1/4W	100	OHM +-5%	RCR3028	1
R606	R, CARBON	1/4W	470	KOHM +-5%	RCR3104	1
R607	R, CARBON	1/4W	47	OHM +-5%	RCR3020	1
R608	R, CARBON	1/4W	330	OHM +-5%	RCR3040	1
R609	R, CARBON	1/4W	100	OHM +-5%	RCR3028	1
R610	R, CARBON	1/4W	6.8	KOHM +-5%	RCR3072	1

Simbol	Description				Code	Q'ty
R612	R, CARBON	1/4W	2.2	KOHM +-5%	RCR3060	1
R612A	R, CARBON	1/4W	10	KOHM +-5%	RCR3076	1
R613	R, CARBON	1/4W	2.2	KOHM +-5%	RCR3060	1
T614	R, CARBON	1/4W	2.2	KOHM +-5%	RCR3060	1
R615	R, CARBON	1/4W	1.0	KOHM +-5%	RCR3052	1
R616	R, CARBON	1/4W	1.0	KOHM +-5%	RCR3052	1
R617	R, CARBON	1/4W	47	OHM +-5%	RCR3020	1
R617A	R, CARBON	1/4W	47	OHM +-5%	RCR3020	1
R618	R, CARBON	1/4W	47	OHM +-5%	RCR3020	1
R618A	R, CARBON	1/4W	47	OHM +-5%	RCR3020	1
R619	R, CARBON	1/4W	22	OHM +-5%	RCR3012	1
R620	R, METAL	1/4W	1.00	KOHM +-1%	RME0664	1
R621	R, CARBON	1/4W	3.9	KOHM +-5%	RCR3066	1
R622	R, CARBON	1/4W	390	OHM +-5%	RCR3042	1
R622A	R, CARBON	1/4W	6.8	KOHM +-5%	RCR3072	1
R622B	R, CARBON	1/4W	6.8	OHM +-5%	RCR3003	1
R623	R, CARBON	1/4W	820	OHM +-5%	RCR3050	1
R623A	R, METAL	1/4W	121	OHM +-1%	RME0653	1
R624	R, CARBON	1/4W	820	OHM +-5%	RCR3050	1
R624A	R, METAL	1/4W	121	OHM +-1%	RME0653	1
R625	R, METAL	1/4W	221	OHM +-1%	RME0656	1
R626	R, METAL	1/4W	221	OHM +-1%	RME0656	1
R627	R, CARBON	1/4W	680	OHM +-5%	RCR3048	1
R628	R, CARBON	1/4W	680	OHM +-5%	RCR3048	1
R629	R, CARBON	1/4W	680	OHM +-5%	RCR3048	1
R631	R, CARBON	1/4W	680	OHM +-5%	RCR3048	1
R632	R, CARBON	1/4W	1.0	KOHM +-5%	RCR3052	1
R633	R, CARBON	1/4W	150	OHM +-5%	RCR3032	1
R633A	R, METAL	1/4W	267	OHM +-1%	RME0657	1
R633B	R, CARBON	1/4W	68	OHM +-5%	RCR3024	R



Simbol	Description				Code	Q'ty
R633C	R, METAL	1/4W	2.21	KOHM +-1%	RME0668	1
R633D	R, METAL	1/4W	2.21	KOHM +-1%	RME0668	1
R633E	R, METAL	1/4W	100	OHM +-1%	RME0652	1
R633F	R, METAL	1/4W	100	OHM +-1%	RME0652	1
R634	R, CARBON	1/4W	680	OHM +-5%	RCR3048	1
R634A	R, CARBON	1/4W	47	OHM +-5%	RCR3020	1
R635	R, CARBON	1/4W	1.0	KOHM +-5%	RCR3052	1
R638	R, CARBON	1/4W	330	OHM +-5%	RCR3040	1
R640	R, METAL	1/4W	475	OHM +-1%	RME0660	1
R641	R, CARBON	1/4W	10	OHM +-5%	RCR3004	1
R642	R, CARBON	1/4W	10	OHM +-5%	RCR3004	1
R643	R, CARBON	1/4W	470	OHM +-5%	RCR3044	1
R644	R, CARBON	1/4W	820	OHM +-5%	RCR3050	1
R645	R, CARBON	1/4W	820	OHM +-5%	RCR3050	1
R646	R, CARBON	1/4W	10	KOHM +-5%	RCR3076	1
R647	R, CARBON	1/4W	4.7	KOHM +-5%	RCR3068	1
R648	R, CARBON	1/4W	2.2	KOHM +-5%	RCR3060	1
R649	R, CARBON	1/4W	4.7	KOHM +-5%	RCR3068	1
R650	R, CARBON	1/4W	4.7	KOHM +-5%	RCR3068	1
R651	R, CARBON	1/4W	2.2	KOHM +-5%	RCR3060	1
R652	R, CARBON	1/4W	6.8	OHM +-5%	RCR3003	1
R653	R, CARBON	1/4W	680	OHM +-5%	RCR3048	1
R655	R, CARBON	1/4W	6.8	KOHM +-5%	RCR3072	1
R663	R, CARBON	1/4W	680	OHM +-5%	RCR3048	1
R690	R, CARBON	1/4W	4.7	KOHM +-5%	RCR3068	1
R691	R, CARBON	1/4W	1.0	KOHM +-5%	RCR3052	1
R692	R, CARBON	1/4W	1.0	KOHM +-5%	RCR3052	1
R693	R, CARBON	1/4W	6.8	OHM +-5%	RCR3003	1
R694	R, CARBON	1/4W	6.8	OHM +-5%	RCR3003	1
R694A	R, CARBON	1/4W	6.8	OHM +-5%	RCR3003	1

Simbol	Description				Code	Q'ty
R695	R, CARBON	1/4W	6.8	OHM +-5%	RCR3003	1
R698	R, CARBON	1/4W	1.0	KOHM +-5%	RCR3052	1
R699	R, CARBON	1/4W	1.0	KOHM +-5%	RCR3052	1
RV208	VR, METAL	CR29R	100	OHM	HX8348450	1
RV211	VR, METAL	CR29R	100	OHM	HX8348450	1
RV311	VR, METAL	CR29R	100	OHM	HX8348450	1
RV440	VR, CARBON	EVH-Y13K20B14			RDE0003	1
RV441	VR, METAL	CR29R	10	KOHM	HX8348450	1
RV621	VR, CARBON	EVH-Y13K20B14			RDE0003	1
RV622A	VR, METAL	CR29R	10	KOHM	HX8348450	1
S401	SW, LEVER	SLA225			SSL0056	1
S402	SW, LEVER	SLA225			SSL0056	1
S403	SW, LEVER	SLA225			SSL0056	1
S404	SW, PUSH	UEG22			HX8311793	1
S601	SW, LEVER	SLA225			SSL0056	1
TR204	TRANSISTOR	2SC641K-C			HTC0192	1
TR205	TRANSISTOR	2SC641K-C			HTC0192	1
TR206	TRANSISTOR	2SA1029 D			HTA0224	1
TR214	TRANSISTOR	2SA781K			HTA0099	1
TR304	TRANSISTOR	2SC641K-C			HTC0192	1
TR305	TRANSISTOR	2SC641K-C			HTC0192	1
TR314	TRANSISTOR	2SA781K			HTA0099	1
TR435	TRANSISTOR	2SK106C			HTK0068	1
TR439	TRANSISTOR	2SC1906			HTC0338	1
TR447	TRANSISTOR	2SC1906			HTC0338	1
TR449	TRANSISTOR	2SC1906			HTC0338	1
TR450	TRANSISTOR	2SC1906			HTC0338	1
TR475	TRANSISTOR	2SA781K			HTA0099	1
TR476	TRANSISTOR	2SA781K			HTA0099	1
TR494	TRANSISTOR	2SA1029 D			HTA0224	1

Simbol	Description	Code	Q'ty
TR495	TRANSISTOR 2SA1029 D	HTA0224	1
TR498	TRANSISTOR 2SA1029 D	HTA0224	1
TR607	TRANSISTOR 2SK106C	HTK0068	1
TR609	TRANSISTOR 2SC1906	HTC0338	1
TR639	TRANSISTOR 2SC1906	HTC0338	1
TR640	TRANSISTOR 2SC1906	HTC0338	1
TR641	TRANSISTOR 2SA781K	HTA0099	1
TR642	TRANSISTOR 2SA781K	HTA0099	1
TR647	TRANSISTOR 2SA1029 D	HTA0224	1

## ELECTRICAL REPLACEABLE PARTS LIST CIRCUIT BOARD (PEF-497)

Simbol	Description	Code	Q'ty
C501	C, CERAMIC 50 V 100 PF+-10%	CCC1025	1
C503	C, CERAMIC 50 V10000 PF+80%-20%	CCC1030	1
C504A	C, CERAMIC 50 V 47 PF+-5%	CCC1014	1
C506	C, CERAMIC 50 V10000 PF+80%-20%	CCC1030	1
C508	C, CERAMIC 50 V 47 PF+-5%	CCC1014	1
C512	C, CERAMIC 50 V 220 PF+-10%	CCC1027	1
C514	C, AL ELYC 25 V 22 UF	CEC0180	1
C515	C, CERAMIC 50 V 10 PF+-0.5PF	CCC1002	1
C516	C, AL ELYC 16 V 47 UF	CEC0170	1
C517	C, CERAMIC 50 V 1000 PF+80%-20%	CCC1029	1
C523	C, AL ELYC 160 V 1 UF	CEC0213	1
C525	C, CERAMIC 50 V10000 PF+80%-20%	CCC1030	1
C526	C, CERAMIC 50 V 33 PF+-5%	CCC1011	1
C530	C, CERAMIC 50 V 27 PF+-5%	CCC1009	1
C531	C, PLASTIC 100 V 1+0.01 UF+-0.5%	HX3142077	1
C532	C, PLASTIC 50 V 4700 PF+-10%	CQA0095	1
C533	C, PLASTIC 100 V 1+0.01 UF+-0.5%	HX3142077	R
C535	C, CERAMIC 50 V 47 PF+-5%	CCC1014	1
C542	C, AL ELYC 16 V 47 UF	CEC0170	1
C543	C, CERAMIC 50 V10000 PF+80%-20%	CCC1030	1
C544	C, CERAMIC 50 V10000 PF+80%-20%	CCC1030	1
C545	C, AL ELYC 25 V 22 UF	CEC0180	1
C546	C, AL ELYC 50 V 2.2 UF	CEC0194	1
C547	C, PLASTIC 50 V 0.1 MF+-10%	CQA0103	1
C547A	C, PLASTIC 50 V 0.1 UF+-10%	CQA0103	1
C548	C, PLASTIC 50 V22000 PF+-10%	CQA0099	1
C549	C, PLASTIC 50 V 2200 PF+-10%	CQA0093	1
C550	C, CERAMIC 50 V 220 PF+-10%	CCC1027	1
C551	C, CERAMIC 50 V 100 PF+-10%	CCC1025	1
C553	C, AL ELYC 25 V 10 UF	CEC0175	1

Simbol	Description	Code	Q'ty
C554	C,AL ELYC 25 V 10 UF	CEC0175	1
C555	C,AL ELYC 16 V 47 UF	CEC0170	1
C559	C,AL ELYC 25 V 10 UF	CEC0175	1
C569	C,CERAMIC 50 V10000 PF+80%-20%	CCC1030	1
C585	C,CERAMIC 50 V10000 PF+80%-20%	CCC1030	1
C587	C,CERAMIC 50 V10000 PF+80%-20%	CCC1030	1
C588	C,CERAMIC 50 V 1 PF+-0.25PF	CCC1133	1
C593	C,AL ELYC 16 V 47 UF	CEC0170	1
C594	C,CERAMIC 50 V 1 PF+-0.25PF	CCC1133	1
C595	C,AL ELYC 16 V 47 UF	CEC0170	1
C703	C,CERAMIC 50 V10000 PF+80%-20%	CCC1030	1
C704A	C,CERAMIC 50 V 47 PF+-5%	CCC1014	1
C706	C,CERAMIC 50 V10000 PF+80%-20%	CCC1030	1
C708	C,CERAMIC 50 V 47 PF+-5%	CCC1014	1
C713	C,CERAMIC 50 V10000 PF+80%-20%	CCC1030	1
C714	C,CERAMIC 50 V10000 PF+80%-20%	CCC1030	1
C715	C,CERAMIC 50 V 10 PF+-0.5PF	CCC1002	1
C725	C,CERAMIC 50 V10000 PF+80%-20%	CCC1030	1
C726	C,CERAMIC 50 V 47 PF+-5%	CCC1014	1
C730	C,CERAMIC 50 V 27 PF+-5%	CCC1009	1
C731	C,PLASTIC 100 V 1+0.01 UF+-0.5%	HX3142077	1
C732	C,PLASTIC 50 V 4700 PF+-10%	CQA0095	1
C733	C,PLASTIC 100 V 1+0.01 UF+-0.5%	HX3142077	R
C735	C,CERAMIC 50 V 47 PF+-5%	CCC1014	1
C742	C,CERAMIC 50 V 100 PF+-10%	CCC1025	1
C743			
C744			
C760	C,CERAMIC 50 V10000 PF+80%-20%	CCC1030	1
C761	C,CERAMIC 50 V 220 PF+-10%	CCC1027	1
C763	C,CERAMIC 50 V 220 PF+-10%	CCC1027	1

Simbol	Description				Code	Q'ty
C764	C, CERAMIC	50	V 680	PF+-1%	CCC1365	1
C765	C, CERAMIC	50	V10000	PF+80%-20%	CCC1030	1
C766	C, CERAMIC	50	V10000	PF+80%-20%	CCC1030	1
C768	C, AL ELYC	25	V 10	UF	CEC0175	1
C776	C, AL ELYC	25	V 10	UF	CEC0175	1
C780	C, CERAMIC	50	V10000	PF+80%-20%	CCC1030	1
C782B	C, CERAMIC	50	V 33	PF+-5%	CCC1011	1
C791	C, AL ELYC	16	V 47	UF	CEC0170	1
CV530	C, VARIABLE	ECV-1ZW10×93			HX3142155	1
CV534	C, VARIABLE	ECV-1ZW20×93			HX3142155	1
CV730	C, VARIABLE	ECV-1ZW10×93			HX3142155	1
CV734	C, VARIABLE	ECV-1ZW20×93			HX3142155	1
CV782A	C, VARIABLE	ECV-1ZW50×93			HX3142155	1
D504	DIODE	1S2075		T-D	HDS0108	1
D505	DIODE	MA161			HDM0051	1
D508	DIODE	MA161			HDM0051	1
D509	DIODE	MA161			HDM0051	1
D540A	DIODE	1S2075		T-D	HDS0108	1
D548	DIODE	1S2075		T-D	HDS0108	1
D550	DIODE	1S2075		T-D	HDS0108	1
D551	DIODE	1S2075		T-D	HDS0108	1
D552	DIODE	1S2075		T-D	HDS0108	1
D558	DIODE	1S2075		T-D	HDS0108	1
D559	DIODE	1S2075		T-D	HDS0108	1
D704	DIODE	1S2075		T-D	HDS0108	1
D705	DIODE	MA161			HDM0051	1
D708	DIODE	MA161			HDM0051	1

Simbol	Description		Code	Q'ty	
D709	DIODE	MH161	HDM0051	1	
D740A	DIODE	1S2075	T-D	HDS0108	1
D763	DIODE	1S2075	T-D	HDS0108	1
D764	DIODE	1S2075	T-D	HDS0108	1
D768	DIODE	1S2075	T-D	HDS0108	1
D769	DIODE	1S2075	T-D	HDS0108	1
D770	DIODE	1S2075	T-D	HDS0108	1
D771	DIODE	1S2075	T-D	HDS0108	1
D772	DIODE	1S2075	T-D	HDS0108	1
D776	DIODE	1S2075	T-D	HDS0108	1
D780	DIODE	1S2075	T-D	HDS0108	1
D781	DIODE	1S2075	T-D	HDS0108	1
D782	DIODE	1S2075	T-D	HDS0108	1
D783	DIODE	1S2075	T-D	HDS0108	1
D784	DIODE	1S2075	T-D	HDS0108	1
D785	DIODE	1S2075	T-D	HDS0108	1
D786	DIODE	1S2075	T-D	HDS0108	1
IC500	IC, ANALOG	TL081CP	ILT0037	1	
IC501	DIGITAL IC	HD10102	IDH0002	1	
IC502	DIGITAL IC	HD7400P	IDH0177	1	
IC503	IC, DIGITAL	HD74LS00P	IDH0467	1	
IC505	DIGITAL IC	MC14053BCP	IDM0113	1	
IC506	IC, DIGITAL	HD74LS109AP	IDH0713	1	
L761	COIL	FL-5H 330K	TLF0019	1	
L782A	COIL	FL-5H 330K	TLF0019	1	
P500	CONNECTOR	1-171826-0	JBX1712	1	
P501	CONNECTOR	171825-6	JBX0470	1	
P503	CONNECTOR	171826-6	JBX1711	1	
P509	CONNECTOR	171825-3	JBX0468	1	
P546	CONNECTOR	171825-6	JBX0470	1	

Simbol	Description				Code	Q'ty
P590	CONNECTOR	171826-6			JBX1711	1
P591	CONNECTOR	171825-3			JBX0468	1
P595	CONNECTOR	171825-4			JBX0704	1
P767	CONNECTOR	171826-6			JBX1711	1
PEF497	PCB	PEF-496~497			H 116457	1
PEF497					H 291533	R
R501	R, CARBON	1/4W	1.5	KOHM +-5%	RCR3056	1
R502	R, METAL	1/4W	2.67	KOHM +-1%	RME0669	1
R503	R, METAL	1/4W	6.81	KOHM +-1%	RME0674	1
R504	R, CARBON	1/4W	680	OHM +-5%	RCR3048	1
R504A	R, CARBON	1/4W	330	OHM +-5%	RCR3040	1
R505	R, CARBON	1/4W	22	KOHM +-5%	RCR3084	1
R506	R, CARBON	1/4W	22	OHM +-5%	RCR3012	1
R507	R, CARBON	1/4W	2.2	KOHM +-5%	RCR3060	1
R508	R, CARBON	1/4W	680	OHM +-5%	RCR3048	1
R509	R, CARBON	1/4W	2.2	KOHM +-5%	RCR3060	1
R510	R, CARBON	1/4W	22	OHM +-5%	RCR3012	1
R512	R, CARBON	1/4W	100	OHM +-5%	RCR3028	1
R513	R, SOLID	1/4W	10	MOHM +-5%	RSE0434	1
R514	R, CARBON	1/4W	68	OHM +-5%	RCR3024	1
R515	R, CARBON	1/4W	6.8	OHM +-5%	RCR3003	1
R516	R, CARBON	1/4W	8.2	KOHM +-5%	RCR3074	1
R516A	R, CARBON	1/4W	22	OHM +-5%	RCR3012	1
R517	R, CARBON	1/4W	4.7	KOHM +-5%	RCR3068	1
R518	R, METAL	1/4W	22.1	KOHM +-1%	RME0680	1
R519	R, METAL	1/4W	1.21	KOHM +-1%	RME0665	1
R520	R, CARBON	1/4W	100	OHM +-5%	RCR3028	1
R521	R, CARBON	1/4W	47	OHM +-5%	RCR3020	1
R522	R, CARBON	1/4W	10	KOHM +-5%	RCR3076	1
R523	R, CARBON	1/2W	10	KOHM +-5%	RCR3183	1



Simbol	Description				Code	Q'ty
R525	R, CARBON	1/4W	2.2	KOHM +-5%	RCR3060	1
R526	R, CARBON	1/4W	220	OHM +-5%	RCR3036	1
R527	R, METAL	1/4W	2.21	KOHM +-1%	RME0668	1
R528	R, METAL	1/4W	2.43	KOHM +-1%	RME0799	1
R530	R, METAL	1/2W	4.32	MOHM +-1%	RMR3283	1
R531	R, METAL	1/2W	1.43	MOHM +-0.5%	RME0833	1
R532	R, METAL	1/2W	715	KOHM +-0.5%	RME0834	1
R533	R, METAL	1/4W	429	KOHM +-0.5%	RME0699	1
R534	R, METAL	1/4W	143	KOHM +-0.5%	RME0718	1
R535	R, METAL	1/4W	71.5	KOHM +-0.5%	RME0717	1
R536	R, METAL	1/4W	71.5	KOHM +-0.5%	RME0717	1
R537	R, CARBON	1/4W	820	OHM +-5%	RCR3050	1
R538	R, METAL	1/4W	17.8	KOHM +-0.5%	RME0700	1
R539	R, METAL	1/4W	17.8	KOHM +-0.5%	RME0700	1
R540	R, METAL	1/4W	6.81	KOHM +-1%	RME0674	1
R540A	R, CARBON	1/4W	68	KOHM +-5%	RCR3096	1
R541	R, CARBON	1/4W	330	OHM +-5%	RCR3040	1
R542	R, CARBON	1/4W	2.2	KOHM +-5%	RCR3060	1
R543	R, CARBON	1/4W	100	OHM +-5%	RCR3028	1
R544	R, CARBON	1/4W	6.8	OHM +-5%	RCR3003	1
R546	R, CARBON	1/4W	100	KOHM +-5%	RCR3100	1
R547	R, CARBON	1/4W	8.2	KOHM +-5%	RCR3074	1
R548	R, CARBON	1/4W	100	OHM +-5%	RCR3028	1
R549	R, CARBON	1/4W	100	OHM +-5%	RCR3028	1
R550	R, CARBON	1/4W	6.8	KOHM +-5%	RCR3072	1
R551	R, CARBON	1/4W	68	KOHM +-5%	RCR3096	1
R552	R, CARBON	1/4W	100	KOHM +-5%	RCR3100	1
R553	R, CARBON	1/4W	22	KOHM +-5%	RCR3084	1
R554	R, CARBON	1/4W	100	OHM +-5%	RCR3028	1
R555	R, CARBON	1/4W	100	OHM +-5%	RCR3028	1

Simbol	Description				Code	Q'ty
R557	R, CARBON	1/4W	100	OHM +-5%	RCR3028	1
R558	R, CARBON	1/2W	10	KOHM +-5%	RCR3183	1
R558A	R, CARBON	1/4W	100	OHM +-5%	RCR3028	1
R559	R, CARBON	1/4W	1.0	KOHM +-5%	RCR3052	1
R560	R, CARBON	1/4W	10	KOHM +-5%	RCR3076	1
R561	R, METAL	1/4W	825	OHM +-1%	RME0663	1
R562	R, CARBON	1/4W	6.8	KOHM +-5%	RCR3072	1
R563	R, METAL	1/4W	182	OHM +-1%	RME0655	1
R565	R, CARBON	1/4W	2.2	KOHM +-5%	RCR3060	1
R566	R, CARBON	1/4W	1.0	KOHM +-5%	RCR3052	1
R567	R, CARBON	1/4W	3.9	KOHM +-5%	RCR3066	1
R568	R, CARBON	1/4W	100	OHM +-5%	RCR3028	1
R569	R, CARBON	1/4W	2.2	KOHM +-5%	RCR3060	1
R570	R, CARBON	1/4W	2.2	KOHM +-5%	RCR3060	1
R571	R, METAL	1/4W	1.82	KOHM +-1%	RME0667	1
R572	R, METAL	1/4W	3.92	KOHM +-1%	RME0671	1
R580A	R, METAL	1/4W	3.32	KOHM +-1%	RME0670	1
R580B	R, METAL	1/4W	332	OHM +-1%	RME0658	1
R581	R, METAL	1/4W	3.32	KOHM +-1%	RME0670	1
R582	R, CARBON	1/4W	10	KOHM +-5%	RCR3076	1
R583	R, CARBON	1/4W	10	KOHM +-5%	RCR3076	1
R584	R, METAL	1/4W	3.92	KOHM +-1%	RME0671	1
R585	R, CARBON	1/4W	47	KOHM +-5%	RCR3092	1
R586	R, CARBON	1/4W	22	KOHM +-5%	RCR3084	1
R587	R, CARBON	1/4W	1.0	KOHM +-5%	RCR3052	1
R588	R, METAL	1/4W	1.21	KOHM +-1%	RME0665	1
R589	R, METAL	1/4W	825	OHM +-1%	RME0663	1
R590	R, CARBON	1/4W	22	OHM +-5%	RCR3012	1
R591	R, METAL	1/4W	3.32	KOHM +-1%	RME0670	1
R592A	R, METAL	1/4W	332	OHM +-1%	RME0658	1

Simbol	Description				Code	Q'ty
R592B	R, METAL	1/4W	332	OHM +-1%	RME0658	1
R593	R, CARBON	1/4W	22	OHM +-5%	RCR3012	1
R594	R, METAL	1/4W	1.21	KOHM +-1%	RME0665	1
R595	R, METAL	1/4W	825	OHM +-1%	RME0663	1
R596	R, CARBON	1/4W	47	OHM +-5%	RCR3020	1
R597	R, CARBON	1/4W	4.7	KOHM +-5%	RCR3068	1
R598	R, CARBON	1/4W	4.7	KOHM +-5%	RCR3068	1
R599	R, CARBON	1/4W	47	OHM +-5%	RCR3020	1
R701	R, METAL	1/4W	1.50	KOHM +-1%	RME0666	1
R702	R, METAL	1/4W	2.67	KOHM +-1%	RME0669	1
R703	R, METAL	1/4W	6.81	KOHM +-1%	RME0674	1
R704	R, CARBON	1/4W	680	OHM +-5%	RCR3048	1
R704A	R, CARBON	1/4W	330	OHM +-5%	RCR3040	1
R705	R, CARBON	1/4W	22	KOHM +-5%	RCR3084	1
R706	R, CARBON	1/4W	22	OHM +-5%	RCR3012	1
R707B	R, CARBON	1/4W	220	OHM +-5%	RCR3036	1
R708	R, CARBON	1/4W	680	OHM +-5%	RCR3048	1
R712	R, CARBON	1/4W	100	OHM +-5%	RCR3028	1
R713	R, CARBON	1/4W	22	OHM +-5%	RCR3012	1
R714	R, CARBON	1/4W	100	OHM +-5%	RCR3028	1
R715	R, CARBON	1/4W	6.8	OHM +-5%	RCR3003	1
R716	R, CARBON	1/4W	12	KOHM +-5%	RCR3078	1
R722	R, CARBON	1/4W	47	OHM +-5%	RCR3020	1
R723	R, CARBON	1/2W	10	KOHM +-5%	RCR3183	1
R725	R, CARBON	1/4W	2.2	KOHM +-5%	RCR3060	1
R726	R, CARBON	1/4W	470	OHM +-5%	RCR3044	1
R727	R, METAL	1/4W	2.21	KOHM +-1%	RME0668	1
R728	R, METAL	1/4W	1.82	KOHM +-1%	RME0667	1
R728A	R, CARBON	1/4W	1.0	KOHM +-5%	RCR3052	1
R729	R, CARBON	1/4W	100	OHM +-5%	RCR3028	1

Simbol	Description				Code	Q'ty
R730	R, METAL	1/2W	1.43	MOHM +-0.5%	RME0833	1
R731	R, METAL	1/2W	715	KOHM +-0.5%	RME0834	1
R732	R, METAL	1/4W	429	KOHM +-0.5%	RME0699	1
R733	R, METAL	1/4W	143	KOHM +-0.5%	RME0718	1
R734	R, METAL	1/4W	71.5	KOHM +-0.5%	RME0717	1
R735	R, METAL	1/4W	71.5	KOHM +-0.5%	RME0717	1
R736	R, CARBON	1/4W	2.7	KOHM +-5%	RCR3062	1
R737	R, METAL	1/4W	71.5	KOHM +-0.5%	RME0717	1
R738	R, METAL	1/4W	17.8	KOHM +-0.5%	RME0700	1
R739	R, METAL	1/4W	17.8	KOHM +-0.5%	RME0700	1
R740	R, METAL	1/4W	6.81	KOHM +-1%	RME0674	1
R740A	R, CARBON	1/4W	68	KOHM +-5%	RCR3096	1
R741	R, METAL	1/4W	1.00	KOHM +-1%	RME0664	1
R742	R, CARBON	1/4W	3.9	KOHM +-5%	RCR3066	1
R743	R, CARBON	1/4W	3.9	KOHM +-5%	RCR3066	1
R744	R, CARBON	1/4W	3.9	KOHM +-5%	RCR3066	1
R755	R, CARBON	1/4W	100	OHM +-5%	RCR3028	1
R761	R, CARBON	1/4W	470	OHM +-5%	RCR3044	1
R761A	R, CARBON	1/4W	220	OHM +-5%	RCR3036	1
R762	R, CARBON	1/4W	15	KOHM +-5%	RCR3080	1
R763	R, CARBON	1/4W	270	OHM +-5%	RCR3038	1
R764	R, CARBON	1/4W	2.2	KOHM +-5%	RCR3060	1
R766	R, CARBON	1/4W	10	KOHM +-5%	RCR3076	1
R767	R, CARBON	1/4W	47	OHM +-5%	RCR3020	1
R768	R, CARBON	1/4W	1.0	KOHM +-5%	RCR3052	1
R769	R, CARBON	1/4W	10	KOHM +-5%	RCR3076	1
R770	R, CARBON	1/4W	100	OHM +-5%	RCR3028	1
R771	R, CARBON	1/4W	1.0	KOHM +-5%	RCR3052	1
R772	R, CARBON	1/4W	10	KOHM +-5%	RCR3076	1
R773	R, CARBON	1/4W	820	OHM +-5%	RCR3050	1

Simbol	Description				Code	Q'ty
R774	R, CARBON	1/4W	820	OHM +-5%	RCR3050	1
R775	R, CARBON	1/4W	820	OHM +-5%	RCR3050	1
R776	R, CARBON	1/4W	10	KOHM +-5%	RCR3076	1
R776B	R, CARBON	1/4W	22	OHM +-5%	RCR3012	1
R780	R, METAL	1/4W	3.32	KOHM +-1%	RME0670	1
R780A	R, CARBON	1/4W	10	KOHM +-5%	RCR3076	1
R781	R, CARBON	1/4W	2.7	KOHM +-5%	RCR3062	1
R781A	R, CARBON	1/4W	3.3	KOHM +-5%	RCR3064	1
R782A	R, CARBON	1/4W	2.2	KOHM +-5%	RCR3060	1
R783A	R, METAL	1/4W	392	OHM +-1%	RME0659	1
R784	R, METAL	1/4W	3.92	KOHM +-1%	RME0671	1
R785	R, CARBON	1/4W	1.0	KOHM +-5%	RCR3052	1
R786	R, CARBON	1/4W	1.0	KOHM +-5%	RCR3052	1
R791	R, CARBON	1/4W	22	OHM +-5%	RCR3012	1
R792	R, CARBON	1/4W	3.3	KOHM +-5%	RCR3064	1
R793	R, CARBON	1/4W	22	KOHM +-5%	RCR3084	1
R794	R, CARBON	1/4W	3.3	KOHM +-5%	RCR3064	1
R795	R, CARBON	1/4W	22	OHM +-5%	RCR3012	1
RV540	VR, METAL	CR29R	470	OHM	HX8348450	1
RV542	VR, CARBON	1kB+500kB		WITH/SW	HX3142080 B	1
RV560	VR, METAL	CR29R	2.2	KOHM	HX8348450	1
RV562	VR, METAL	CR29R	2.2	KOHM	HX8348450	1
RV714	VR, METAL	CR29R	470	OHM	HX8348450	1
RV740	VR, METAL	CR29R	470	OHM	HX8348450	1
RV742	VR, METAL	CR29R	220	OHM	HX8348450	1
RV783A	VR, METAL	CR29R	470	OHM	HX8348450	1
S501	SW, ROTARY	S21P	3323/2220		HX3142078 B	1
S770	SW, LEVER	SLA225			SSL0056	1
TR501	TRANSISTOR	2SA1029	D		HTA0224	1
TR502	TRANSISTOR	2SA1029	D		HTA0224	1

Simbol	Description	Code	Q'ty
TR504	TRANSISTOR 2SC641K-C	HTC0192	1
TR507	TRANSISTOR 2SA1029 D	HTA0224	1
TR514	TRANSISTOR 2SK106C	HTK0068	1
TR516	TRANSISTOR 2SC641K-C	HTC0192	1
TR524	TRANSISTOR 2SC1906	HTC0338	1
TR548	TRANSISTOR 2SC458C	HTC0148	1
TR551	TRANSISTOR 2SA1029 D	HTA0224	1
TR558	TRANSISTOR 2SA1029 D	HTA0224	1
TR559	TRANSISTOR 2SA1029 D	HTA0224	1
TR567	TRANSISTOR 2SC641K-C	HTC0192	1
TR588	TRANSISTOR 2SC1906	HTC0338	1
TR594	TRANSISTOR 2SC1906	HTC0338	1
TR596	TRANSISTOR 2SA781K	HTA0099	1
TR599	TRANSISTOR 2SA781K	HTA0099	1
TR701	TRANSISTOR 2SA1029 D	HTA0224	1
TR702	TRANSISTOR 2SA1029 D	HTA0224	1
TR704	TRANSISTOR 2SC641K-C	HTC0192	1
TR714	TRANSISTOR 2SK106C	HTK0068	1
TR716	TRANSISTOR 2SC641K-C	HTC0192	1
TR724	TRANSISTOR 2SC1906	HTC0338	1
TR728	TRANSISTOR 2SC458C	HTC0148	1
TR768	TRANSISTOR 2SC641K-C	HTC0192	1
TR793	TRANSISTOR 2SC641K-C	HTC0192	1
TR795	TRANSISTOR 2SC641K-C	HTC0192	1

## ELECTRICAL REPLACEABLE PARTS LIST CIRCUIT BOARD (PEF-498)

Symbol	Description	Code	Q'ty
C319	C, CERAMIC 50 V 47 PF+-5%	CCC1014	1
C321	C, AL ELYC 25 V 10 UF	CEC0175	1
C326	C, CERAMIC 50 V 2 PF+-0.25PF	CCC0996	1
C327	C, AL ELYC 25 V 10 UF	CEC0175	1
C329	C, CERAMIC 50 V 680 PF+-10%	CCC1365	1
C330	C, CERAMIC 50 V 680 PF+-10%	CCC1365	1
C333	C, AL ELYC 25 V 10 UF	CEC0175	1
C343	C, AL ELYC 25 V 10 UF NP	CEC0176	1
C344	C, CERAMIC 50 V 10 PF+-0.5PF	CCC1002	1
C345	C, CERAMIC 50 V 47 PF+-5%	CCC1014	1
C353	C, CERAMIC 50 V 2 PF+-0.25PF	CCC0996	1
C354	C, CERAMIC 50 V 1000 PF+80%-20%	CCC1029	1
C355	C, CERAMIC 50 V 1000 PF+80%-20%	CCC1029	1
C357	C, CERAMIC 50 V10000 PF+80%-20%	CCC1030	1
C361	C, CERAMIC 50 V10000 PF+80%-20%	CCC1030	1
C366	C, CERAMIC 50 V 680 PF+-20%	CCC1365	1
C373	C, CERAMIC 50 V10000 PF+80%-20%	CCC1030	1
C376	C, CERAMIC 50 V10000 PF+80%-20%	CCC1030	1
C381	C, CERAMIC 50 V 1000 PF+80%-20%	CCC1029	1
C383	C, CERAMIC 500 V10000 PF+-10%	CCD0218	1
C389	C, CERAMIC 500 V 1000 PF	CCC0590	1
C391	C, AL ELYC 160 V 1 UF	CEC0213	1
C1034	C, AL ELYC 160 V 1 UF	CEC0213	1
C1035	C, CERAMIC 500 V10000 PF+-10%	CCD0218	1
C1041	C, CERAMIC 50 V10000 PF+80%-20%	CCC1030	1
C1042	C, CERAMIC 50 V10000 PF+80%-20%	CCC1030	1
C1043	C, CERAMIC 50 V10000 PF+80%-20%	CCC1030	1
CV325	C, VARIABLE ECV-1ZW 20 × 92	H 3159319	1
CV342	C, VARIABLE ECV-1ZW 20 × 92	H 3159319	1
CV344	C, VARIABLE ECV-1ZW 20 × 92	H 3159319	1

Simbol	Description				Code	Q'ty
D345	DIODE	1S2268			HDS0129	1
D381	DIODE	HZ5B	T-D		HDH0029	1
D1034	DIODE	HZ22			HDH0072	1
J384	PIN	FOR CONNECTOR			HX8193940	1
J385	PIN	FOR CONNECTOR			HX8193940	1
L337	CORE	L1-RH0303			HX841221	1
L338	CORE	L1-RH0303			HX841221	1
L384	COIL	T-COIL(3T,7T)			H 8354946	1
L385	COIL	T-COIL(3T,7T)			H 8354946	1
L389	CORE	L1-RH0303			HX841221	1
P323	CONNECTOR	171826-6			JBX1711	1
P357	CONNECTOR	171826-3			JBX1710	1
P380	CONNECTOR	171826-3			JBX1710	1
P1038	CONNECTOR	171826-6			JBX1711	1
PEF498	PCB	PEF-495			H 116456	R
R313	R, CARBON	1/4W	68	OHM +-5%	RCR3024	1
R314	R, CARBON	1/4W	68	OHM +-5%	RCR3024	1
R319	R, CARBON	1/4W	1.5	KOHM +-5%	RCR3056	1
R321	R, METAL	1/4W	100	OHM +-1%	RME0652	1
R322	R, METAL	1/4W	100	OHM +-1%	RME0652	1
R323	R, CARBON	1/4W	3.3	KOHM +-5%	RCR3064	1
R324	R, CARBON	1/4W	1.2	KOHM +-5%	RCR3054	1
R325	R, CARBON	1/4W	100	OHM +-5%	RCR3028	1
R326	R, METAL	1/4W	82.5	OHM +-1%	RME0651	1
R327	R, METAL	1/4W	681	OHM +-1%	RME0662	1
R328	R, METAL	1/4W	681	OHM +-1%	RME0662	1
R329	R, CARBON	1/4W	390	OHM +-5%	RCR3042	1
R330	R, CARBON	1/4W	390	OHM +-5%	RCR3042	1
R333	R, METAL	1/4W	392	OHM +-1%	RME0659	1
R334	R, METAL	1/4W	392	OHM +-1%	RME0659	1



Simbol	Description				Code	Q'ty
R335	R,METAL	1/4W	3.32	KOHM +-1%	RME0670	1
R336	R,METAL	1/4W	1.21	KOHM +-1%	RME0665	1
R337	R,METAL	1/4W	100	OHM +-1%	RME0652	1
R338	R,METAL	1/4W	100	OHM +-1%	RME0652	1
R339	R,CARBON	1/4W	470	OHM +-5%	RCR3044	1
R340	R,CARBON	1/4W	10	OHM +-5%	RCR3004	1
R341	R,METAL	1/4W	71.5	OHM +-1%	RME0737	1
R342	R,CARBON	1/4W	10	OHM +-5%	RCR3004	1
R343	R,CARBON	1/4W	4.7	KOHM +-5%	RCR3068	1
R344	R,CARBON	1/4W	1.5	KOHM +-5%	RCR3056	1
R345	R,CARBON	1/4W	22	KOHM +-5%	RCR3084	1
R346	R,METAL	1/4W	825	OHM +-1%	RME0663	1
R347	R,METAL	1/4W	825	OHM +-1%	RME0663	1
R348	R,CARBON	1/4W	100	OHM +-5%	RCR3028	1
R349	R,CARBON	1/4W	10	OHM +-5%	RCR3004	1
R353	R,CARBON	1/4W	10	OHM +-5%	RCR3004	1
R354	R,CARBON	1/4W	330	OHM +-5%	RCR3040	1
R355	R,CARBON	1/4W	330	OHM +-5%	RCR3040	1
R356	R,CARBON	1/4W	10	OHM +-5%	RCR3004	1
R357	R,CARBON	1/4W	1.5	KOHM +-5%	RCR3056	1
R359	R,CARBON	1/4W	680	OHM +-5%	RCR3048	1
R360	R,CARBON	1/4W	1.0	KOHM +-5%	RCR3052	1
R361	R,METAL	1/4W	82.5	OHM +-1%	RME0651	1
R362	R,METAL	1/4W	82.5	OHM +-1%	RME0651	1
R365	R,METAL	1/4W	82.5	OHM +-1%	RME0651	1
R366	R,CARBON	1/4W	8.2	KOHM +-5%	RCR3074	1
R367	R,METAL	1/4W	619	OHM +-1%	RME0693	1
R368	R,METAL	1/4W	619	OHM +-1%	RME0693	1
R369	R,METAL	1/4W	619	OHM +-1%	RME0693	1
R370	R,METAL	1/4W	619	OHM +-1%	RME0693	1

Simbol	Description				Code	Q'ty
R371	R, METAL	1/4W	619	OHM +-1%	RME0693	1
R372	R, METAL	1/4W	619	OHM +-1%	RME0693	1
R373	R, METAL	1W	68	OHM +-5%	RMR2769	1
R374	R, METAL	1/4W	82.5	OHM +-1%	RME0651	1
R375	R, METAL	1/4W	47.5	OHM +-1%	RME0648	1
R376	R, METAL	1W	68	OHM +-5%	RMR2769	1
R380	R, CARBON	1/4W	10	KOHM +-5%	RCR3076	1
R381	R, CARBON	1/4W	47	OHM +-5%	RCR3020	1
R382	R, CARBON	1/4W	10	OHM +-5%	RCR3004	1
R383	R, CARBON	1/4W	10	OHM +-5%	RCR3004	1
R384	R, CARBON	1/4W	150	OHM +-5%	RCR3032	1
R385	R, CARBON	1/4W	100	OHM +-5%	RCR3028	1
R386	R, CARBON	1/4W	47	OHM +-5%	RCR3020	1
R387	R, CARBON	1/4W	47	OHM +-5%	RCR3020	1
R389	R, METAL	5 W	390	OHM +-5%	RMR3257	1
R390	R, METAL	5 W	390	OHM +-5%	RMR3257	1
R391	R, CARBON	1/4W	10	OHM +-5%	RCR3004	1
R1034	R, CARBON	1/4W	100	KOHM +-5%	RCR3100	1
R1035	R, CARBON	1/4W	1.0	KOHM +-5%	RCR3052	1
R1036	R, CARBON	1/4W	6.8	KOHM +-5%	RCR3072	1
R1037	R, CARBON	1/4W	220	OHM +-5%	RCR3036	1
RT324	THERMISTOR	TMD1410H			H 8360551	1
RT345	THERMISTOR	TMD1410H			H 8360551	1
RV325	VR, METAL	CR19R B	100	OHM	RNC0005	1
RV327	VR, METAL	CR19R B	220	OHM	RNC0030	1
RV339	VR, METAL	CR19R B	1	OHM	RNC0003	1
RV1035	VR, METAL	CR19R B	100	KOHM	RNC0012	1
RV1038	VR, METAL	CR19R B	100	KOHM	RNC0012	1
TR321	TRANSISTOR	2SA800			HTA0108	1
TR322	TRANSISTOR	2SA800			HTA0108	1

Simbol	Description	Code	Q'ty
TR329	TRANSISTOR 2SC1906	HTC0338	1
TR330	TRANSISTOR 2SC1906	HTC0338	1
TR337	TRANSISTOR 2SC1747	HTC0496	1
TR338	TRANSISTOR 2SC1747	HTC0496	1
TR353	TRANSISTOR 2SC1747	HTC0496	1
TR355	TRANSISTOR 2SC1747	HTC0496	1
TR361	TRANSISTOR 2SC1252	HTC0064	1
TR362	TRANSISTOR 2SC1252	HTC0064	1
TR383	TRANSISTOR 2SC1252	HTC0064	1
TR386	TRANSISTOR 2SC1252	HTC0064	1

## ELECTRICAL REPLACEABLE PARTS LIST CIRCUIT BOARD (PEF-499)

Simbol	Description	Code	Q'ty
C801	C, CERAMIC 500 V10000 PF+-10%	CCD0218	1
C803	C, CERAMIC 50 V 2200 PF+80%-20%	CCC1205	1
C811	C, CERAMIC 500 V10000 PF+-10%	CCD0218	1
C814	C, CERAMIC 50 V 220 PF+-10%	CCC1027	1
C824	C, AL ELYC 25 V 10 UF	CEC0175	1
C825	C, CERAMIC 500 V 0.5 PF+-0.25PF	CCC0111	1
C826	C, CERAMIC 500 V 0.5 PF+-0.25PF	CCC0111	1
C831	C, CERAMIC 500 V10000 PF+-10%	CCD0218	1
C832	C, CERAMIC 500 V10000 PF+-10%	CCD0218	1
C833	C, CERAMIC 500 V10000 PF+-10%	CCD0218	1
C843	C, CERAMIC 500 V10000 PF+-10%	CCD0218	1
C845	C, CERAMIC 50 V 68 PF+-5%	CCC1034	1
C846	C, CERAMIC 50 V 68 PF+-5%	CCC1034	1
C891	C, AL ELYC 25 V 10 UF	CEC0175	1
C1104	C, PLASTIC 50 V10000 PF+-10%	CQA0097	1
C1105	C, AL ELYC 160 V 10 UF	CEC0214	1
C1106	C, PLASTIC 50 V10000 PF+-10%	CQA0097	1
C1110	C, AL ELYC 100 V 220 UF	CEC0211	1
C1111	C, AL ELYC 25 V 2200 UF	CEC0347	1
C1112	C, CERAMIC 50 V 220 PF+-10%	CCC1027	1
C1113	C, AL ELYC 16 V 47 UF	CEC0170	1
C1116	C, AL ELYC 16 V 47 UF	CEC0170	1
C1121	C, AL ELYC 25 V 2200 UF	CEC0347	1
C1124	C, AL ELYC 16 V 47 UF	CEC0170	1
C1131	C, AL ELYC 25 V 2200 UF	CEC0347	1
C1132	C, AL ELYC 16 V 47 UF	CEC0170	1
C1142	C, PLASTIX 50 V 0.1 UF+-10%	CQA0103	1
C1151	C, AL ELYC 100 V 220 UF	CEC0211	1

Simbol	Description	Code	Q'ty
C1156	C,AL ELYC 160 V 10 UF	CEC0214	1
C1161	C,AL ELYC 25 V 1000 UF	CEC0178	1
D832	DIODE HZ5B T-D	HDH0029	1
D1101	DIODE M4C-1	HDM0033	1
D1103	DIODE 1S2075 T-D	HDS0108	1
D1104	DIODE 1S2075 T-D	HDS0108	1
D1105	DIODE V06C	HDV0019	1
D1111	DIODE M4C-1	HDM0033	1
D1114	DIODE V06C	HDV0019	1
D1117	DIODE HZ7BT-D	HDH0040	1
D1124	DIODE V06C	HDV0019	1
D1131	DIODE M4C-1	HDM0033	1
D1151	DIODE V06C	HDV0019	1
D1152	DIODE HZ22	HDH0072	1
D1153	DIODE HZ22	HDH0072	1
D1155	DIODE 1S2075 T-D	HDS0108	1
D1156	DIODE V06C	HDV0019	1
D1161	DIODE V06C	HDV0019	1
D1162	DIODE V06C	HDV0019	1
F1161	FUSE MF61NM 1 (1A 250V)JIS	EFG0344	1
IC1104	ANALOG IC HA17458GS	ILH0054	1
IC1111	ANALOG IC HA17723G	ILH0019	1
IC1121	IC FS-7912	HX8338437	1
IC1131	IC HA17805P	HX8338426	1
J839	PIN FOR CONNECTOR	HX8193940	1
J840	PIN FOR CONNECTOR	HX8193940	1
P801	CONNECTOR 171825-4	JBX0704	1
P811	CONNECTOR 171825-6	JBX0470	1
P1101	CONNECTOR 1-171825-0	JBX0703	1
P1104	CONNECTOR 171825-6	JBX0470	1

Simbol	Description				Code	Q'ty
P1105	CONNECTOR	171825-6			JBX0470	1
P1106	CONNECTOR	171825-6			JBX0470	1
P1107	CONNECTOR	1-171825-0			JBX0703	1
P1191	CONNECTOR	171825-6			JBX0470	1
P1192	CONNECTOR	171825-3			JBX0468	1
PEF499	PCB	PEF-499			H 116458	1
R801	R, METAL	1/4W	12.1	KOHM +-1%	RME0677	1
R802	R, METAL	1/4W	12.1	KOHM +-1%	RME0677	1
R803	R, CARBON	1/4W	2.2	KOHM +-5%	RCR3060	1
R804	R, CARBON	1/4W	68	OHM +-5%	RCR3024	1
R811	R, METAL	1/4W	10.0	KOHM +-1%	RME0676	1
R812	R, METAL	1/4W	10.0	KOHM +-1%	RME0676	1
R813	R, METAL	1/4W	909	OHM +-1%	RME0714	1
R814	R, CARBON	1/4W	220	KOHM +-5%	RCR3102	1
R820	R, CARBON	1/4W	220	OHM +-5%	RCR3036	1
R821	R, METAL	1/4W	1.21	KOHM +-1%	RME0665	1
R822	R, METAL	1/4W	1.21	KOHM +-1%	RME0665	1
R823	R, CARBON	1/4W	10	KOHM +-5%	RCR3076	1
R824	R, CARBON	1/4W	33	OHM +-5%	RCR3016	1
R825	R, METAL	2 W	10	KOHM +-5%	RMR2805	1
R826	R, METAL	2 W	10	KOHM +-5%	RMR2805	1
R827	R, CARBON	1/4W	68	OHM +-5%	RCR3024	1
R828	R, CARBON	1/4W	68	OHM +-5%	RCR3024	1
R829	R, CARBON	1/4W	1.0	KOHM +-5%	RCR3052	1
R830	R, CARBON	1/4W	1.0	KOHM +-5%	RCR3052	1
R831	R, CARBON	1/4W	47	KOHM +-5%	RCR3092	1
R832	R, CARBON	1/4W	2.2	KOHM +-5%	RCR3060	1
R833	R, METAL	1/4W	392	OHM +-1%	RME0659	1
R834	R, METAL	1/4W	392	OHM +-1%	RME0659	1
R835	R, CARBON	1/4W	2.2	KOHM +-5%	RCR3060	1

Simbol	Description				Code	Q'ty
R837	R, METAL	2 W	10	KOHM +-5%	RMR2805	1
R838	R, METAL	2 W	10	KOHM +-5%	RMR2805	1
R839	R, CARBON	1/4W	330	OHM +-5%	RCR3040	1
R840	R, CARBON	1/4W	330	OHM +-5%	RCR3040	1
R844	R, CARBON	1/4W	100	OHM +-5%	RCR3028	1
R845	R, CARBON	1/4W	100	OHM +-5%	RCR3028	1
R891	R, CARBON	1/4W	220	OHM +-5%	RCR3036	1
R1101	R, CARBON	1/4W	10	OHM +-5%	RCR3004	1
R1102	R, CARBON	1/4W	15	KOHM +-5%	RCR3080	1
R1103	R, CARBON	1/4W	1.0	KOHM +-5%	RCR3052	1
R1104	R, CARBON	1/4W	10	KOHM +-5%	RCR3076	1
R1105	R, METAL	1/4W	56.2	KOHM +-1%	RME0685	1
R1106	R, METAL	1/4W	12.1	KOHM +-1%	RME0677	1
R1107	R, CARBON	1/4W	10	KOHM +-5%	RCR3076	1
R1111	R, SOLID	M-2	0.47	OHM +-5%	RWM0146	1
R1112	R, METAL	1/4W	3.92	KOHM +-1%	RME0671	1
R1113	R, METAL	1/4W	6.19	KOHM +-1%	RME0729	1
R1115	R, METAL	1/4W	10.0	KOHM +-1%	RME0676	1
R1116	R, CARBON	1/4W	1.0	KOHM +-5%	RCR3052	1
R1117	R, CARBON	1/2W	4.7	KOHM +-5%	RCR3175	1
R1125	R, METAL	1/4W	10.0	KOHM +-1%	RME0676	1
R1191	R, CARBON	1/4W	1.0	KOHM +-5%	RCR3052	1
R1142	R, CARBON	1/4W	470	KOHM +-5%	RCR3104	1
R1143	R, CARBON	1/4W	4.7	OHM +-5%	RCR3068	1
R1151	R, CARBON	1/4W	10	OHM +-5%	RCR3004	1
R1152	R, CARBON	1/4W	10	KOHM +-5%	RCR3076	1
RV804	VR, METAL	CR19R B	100	OHM	H RNC0005	1

Simbol	Description	Code	Q'ty
RV811	VR,METAL CR19R B 4.7 KOHM	H RNC0031	1
RV813	VR,METAL CR19R B 470 OHM	H RNC0002	1
RV1112	VR,METAL CR19R B 1 KOHM	RNC0003	1
TR801	TRANSISTOR 2SA781K	HTA0099	1
TR802	TRANSISTOR 2SA781K	HTA0099	1
TR811	TRANSISTOR 2SA781K	HTA0099	1
TR812	TRANSISTOR 2SA781K	HTA0099	1
TR825	TRANSISTOR 2SC1906	HTC0338	1
TR828	TRANSISTOR 2SC1906	HTC0338	1
TR831	TRANSISTOR 2SD668A-C	HTD0100	1
TR832	TRANSISTOR 2SD668A-C	HTD0100	1
TR833	TRANSISTOR 2SB648A-C	HTB0087	1
TR834	TRANSISTOR 2SB648A-C	HTB0087	1
TR836	TRANSISTOR 2SC1906	HTC0338	1
TR837	TRANSISTOR 2SC1906	HTC0338	1
TR1101	TRANSISTOR 2SD478C	HTD0053	1
TR1102	TRANSISTOR 2SD478C	HTD0053	1
TR1111	TRANSISTOR 2SD478C	HTD0053	1
TR1151	TRANSISTOR 2SD478C	HTD0053	1
TR1191	TRANSISTOR 2SC458C	HTC0148	1
TR1192	TRANSISTOR 2SC1061C	HTC0032	1



## ELECTRICAL REPLACEABLE PARTS LIST CIRCUIT BOARD (PEF-500)

Simbol	Description	Code	Q'ty
CI201	C,AL ELYC 16 V 47 MF	CEC0170	1
CI202	C,CERAMIC 50 V10000 PF+80%-20%	CCC1030	1
CI203	C,PLASTIC 50 V22000 PF+-10%	CQA0099	1
CI205	C,CERAMIC 50 V 220 PF+-10%	CCC1027	1
CI206	C,CERAMIC 50 V 100 PF+-10%	CCC1025	1
CI209	C,AL ELYC 16 V 47 MF	CEC0170	1
CI303	C,AL ELYC 25 V 10 MF	CEC0175	1
CI304	C,AL ELYC 25 V 10 MF	CEC0175	1
DI301	DIODE HZ7BT-D	HDH0040	1
DI302	DIODE HZ7BT-D	HDH0040	1
DI303	DIODE 1S2075 T-D	HDS0108	1
DI304	DIODE 1S2075 T-D	HDS0108	1
DI401	DIODE SR503D WITH MOUNT (RED)	HDS0408	1
IC1201	IC HA17555GS	ILH0063	1
IC1202	DIGITAL IC MC14011BCP	IDM0169	1
LI208	COIL FL-5H 330K	TLF0019	1
PI201	CONNECTOR 171826-3	JBX1710	1
PI202	CONNECTOR 171825-3	JBX0468	1
PI203			
PI302	CONNECTOR 171826-3	JBX1710	1
PI303	CONNECTOR 171826-6	JBX1711	1
PEF-500	PCB PEF-499	H 116458	R
RI201	R,CARBON 1/4W 10 KOHM +-5%	RCR3076	1
RI202	R,CARBON 1/4W 22 OHM +-5%	RCR3012	1
RI203	R,METAL 1/4W 6.81 KOHM +-1%	RME0674	1
RI204	R,METAL 1/4W 22.1 KOHM +-1%	RME0680	1
RI205	R,METAL 1/4W 10.0 KOHM +-1%	RME0676	1
RI206	R,METAL 1/4W 475 OHM +-1%	RME0660	1
RI207	R,CARBON 1/4W 1.0 KOHM +-5%	RCR3052	1
RI208	R,CARBON 1/4W 22 OHM +-5%	RCR3012	1

Simbol	Description				Code	Q'ty
R1209	R, CARBON	1/4W	22	KOHM +-5%	RCR3084	1
R1302	R, CARBON	1/4W	1.0	KOHM +-5%	RCR3052	1
R1303	R, CARBON	1/4W	4.7	KOHM +-5%	RCR3068	1
R1304	R, CARBON	1/4W	4.7	KOHM +-5%	RCR3068	1
R1401	R, CARBON	1/4W	1.0	KOHM +-5%	RCR3052	1
RV1203	VR, METAL	CR29R	10	KOHM	HX8348450	1
RV1205	VR, METAL	CR29R	2.2	KOHM	HX8348450	1
RV1301	VR, CARBON	1/2W	2×10KOHM+-20%(DPST)		HX3159314	1
RV1302	VR, CARBON	TYPE	10KB+10KB		HX3142092	1
RV1303	VR, CARBON	TYPE	10KB+10KB		HX3142092	1

**ELECTRICAL REPLACEABLE PARTS LIST  
CIRCUIT BOARD (PEF-501)**

Simbol	Description	Code	Q'ty
P547	CONNECTOR 171826-3	JBX1710	1
P562	CONNECTOR 1-171826-2	JBX1713	1
PEF501	PCB PEF-495	H 116456	R
R880	R, CARBON 1/4W 100 OHM +-5%	RCR3028	1
R881	R, CARBON 1/4W 15 KOHM +-5%	RCR3080	1
R882	R, CARBON 1/4W 100 OHM +-5%	RCR3028	1
RV298	VR, CARBON EWK-ENAP20B14 (10K+10K)	H 3159318	1
RV552	VR, CARBON TYPE 16 10KB+50KB WITH/SW	HX3142080	1
S357	SW, PUSH UEG22-2	HX8311793	1

**ELECTRICAL REPLACEABLE PARTS LIST  
CIRCUIT BOARD (PEF-502)**

Simbol	Description	Code	Q'ty
PL1401	LAMP SCALE 14V 80MA	HX8329332	1
PL1402	LAMP SCALE 14V 80MA	HX8329332	1
PL1403	LAMP SCALE 14V 80MA	HX8329332	1
PEF502	PCB PEF-499	H 116458	R

## ELECTRICAL REPLACEABLE PARTS LIST CIRCUIT BOARD (PEF-503)

Simbol	Description	Code	Q'ty
C1030	C, CERAMIC 50 V 100 PF+-10%	CCC1025	1
J1011	SOCKET PS-085	JSP0001	1
PEF-503	PCB PEF-499	H 116458	R
R1030	R, CARBON 1/4W 4.7 KOHM +-5%	RCR3068	1
R1031	R, CARBON 1/4W 100 KOHM +-5%	RCR3100	1
R1033	R, CARBON 1/4W 100 OHM +-5%	RCR3028	1
R1035	R, CARBON 1/4W 100 OHM +-5%	RCR3028	1

## ELECTRICAL REPLACEABLE PARTS LIST CIRCUIT BOARD (PEF-504)

Symbol	Description	Code	Q'ty
C905	C,CERAMIC 500 V 0.5 PF+-0.25PF	CCC0111	1
C906	C,CERAMIC 50 V 15 PF+-5%	CCC1004	1
C910	C,AL ELYC 25 V 10 MF	CEC0175	1
C912	C,CERAMIC 500 V10000 PF+-10%	CCD0218	1
C913	C,CERAMIC 500 V10000 PF+-10%	CCD0218	1
C914	C,CERAMIC 50 V 220 PF+-10%	CCC1027	1
C1001	C,PLASTIC 50 V47000 PF+-10%	CQA0101	1
C1006	C,PLASTIC 50 V47000 PF+-10%	CQA0101	1
C1010	C,CERAMIC 500 V 1000 PF+-10%	CCD0217	1
C1011	C,CERAMIC 2000 V 4700 PF+-10%	CCD0221	1
C1012	C,CERAMIC 2000 V 4700 PF+-10%	CCD0221	1
C1013	C,AL ELYC 160 V 1 UF	CEC0213	1
C1020	C,CERAMIC 2000 V 4700 PF+-10%	CCD0221	1
C1021	C,CERAMIC 2000 V 4700 PF+-10%	CCD0221	1
C1028	C,CERAMIC 500 V10000 PF+-10%	CCD0218	1
C1031	C,CERAMIC 2000 V 100 PF+-10%	CCC1207	1
C1161	C,AL ELYC 25 V 100 UF	CEC0177	1
D903	DIODE 1SS88	HDS0415	1
D904	DIODE 1S2075 T-D	HDS0108	1
D911	DIODE 1S2075 T-D	HDS0108	1
D1001	DIODE 1S2075 T-D	HDS0108	1
D1010	DIODE 1SS83	HDS0250	1
D1011	DIODE 1SS83	HDS0250	1
D1012	DIODE 1SS83	HDS0250	1
D1020	DIODE Y10GA	HDY0031	1
D1021	DIODE 1SS83	HDS0250	1
D1028	DIODE Y10GA	HDY0031	1
D1040	DIODE HZ22	HDH0072	1
IC1001	IC,ANALOG TL071CP	ILT0041	1
MUT1001	MULTIPLIER 17KV W/ANODE CAP	H 3142144	1

Simbol	Description				Code	Q'ty
NL1031	LAMP	NE-2			ELL0019	1
NL1032	LAMP	NE-2			ELL0019	1
P901	CONNECTOR	171825-3			JBX0468	1
P902	CONNECTOR	171825-3			JBX0468	1
P1001	CONNECTOR	1-171825-0			JBX0703	1
P1002	CONNECTOR	171825-3			JBX0468	1
P1021	CONNECTOR	171825-3			JBX0468	1
P1022	CONNECTOR	171825-3			JBX0468	1
P1023	CONNECTOR	171825-3			JBX0468	1
P1401	CONNECTOR	171825-3			JBX0468	1
PEF-504	PCB	PEF-499			H 116458	R
PEF531	PCB	PEF-499			H 116458	R
R901	R, CARBON	1/4W	3.3	KOHM +-5%	RCR3064	1
R902	R, CARBON	1/4W	15	KOHM +-5%	RCR3080	1
R903	R, METAL	1/4W	2.21	KOHM +-1%	RME0668	1
R904	R, METAL	1/4W	15.0	KOHM +-1%	RME0678	1
R905	R, METAL	1 W	15	KOHM +-5%	RMR2783	1
R906	R, CARBON	1/4W	3.3	KOHM +-5%	RCR3064	1
R907	R, CARBON	1/4W	100	KOHM +-5%	RCR3100	1
R908	R, CARBON	1/4W	1.0	KOHM +-5%	RCR3052	1
R909	R, CARBON	1/4W	47	OHM +-5%	RCR3020	1
R910	R, CARBON	1/4W	68	KOHM +-5%	RCR3096	1
R911	R, CARBON	1/4W	12	KOHM +-5%	RCR3078	1
R912	R, METAL	1/4W	1.00	KOHM +-1%	RME0664	1
R913	R, METAL	1 W	15	KOHM +-5%	RMR2783	1
R915	R, CARBON	1/4W	220	OHM +-5%	RCR3036	1
R916	R, METAL	1/4W	6.81	KOHM +-1%	RME0674	1
R917	R, CARBON	1/4W	10	OHM +-5%	RCR3004	1
R918	R, CARBON	1/4W	470	OHM +-5%	RCR3044	1
R919	R. CARBON	1/4W	100	OHM +-5%	RCR3028	1

Simbol	Description	Code	Q'ty
R920	R, CARBON 1/4W 82 KOHM +-5%	RCR3098	1
R921	R, CARBON 1/4W 220 OHM +-5%	RCR3036	1
R1001	R, METAL 1/4W 619 KOHM +-1%	RME0825	1
R1002	R, CARBON 1/4W 3.3 KOHM +-5%	RCR3064	1
R1003	R, CARBON 1/4W 1.0 KOHM +-5%	RCR3052	1
R1004	R, CARBON 1/4W 100 KOHM +-5%	RCR3100	1
R1005	R, CARBON 1/4W 1.0 KOHM +-5%	RCR3052	1
R1006	R, CARBON 1/4W 10 OHM +-5%	RCR3004	1
R1010	R, CARBON 1/4W 330 KOHM +-5%	RCR3103	1
R1011	R, CARBON 1/4W 220 OHM +-5%	RCR3036	1
R1012	R, CARBON 1/4W 33 OHM +-5%	RCR3016	1
R1020	R, CARBON 1/4W 4.7 KOHM +-5%	RCR3068	1
R1021	R, SOLID 1/4W 10 MOHM +-5%	RSE0434	1
R1022	R, CARBON 1/2W 2.7 MOHM +-5%	RCR3480	1
R1023	R, CARBON 1/2W 2.7 MOHM +-5%	RCR3480	1
R1024	R, CARBON 1/2W 2.7 MOHM +-5%	RCR3480	1
R1025	R, CARBON 1/2W 2.7 MOHM +-5%	RCR3480	1
R1027	R, CARBON 1/4W 1 MOHM +-5%	RCR3106	1
R1028	R, CARBON 1/4W 1.0 KOHM +-5%	RCR3052	1
R1031	R, METAL 1 W 22 MOHM +-1%	HX3142076	1
RV1040	VR, METAL CR29R 100 KOHM	HX8348450	1
T1001	XFMR HIGH VOLTAGE XFMR FOR V1050	H 3142143	1
TR903	TRANSISTOR 2SC641K-C	HTC0192	1
TR909	TRANSISTOR 2SC1906	HTC0338	1
TR911	TRANSISTOR 2SB648A-C	HTB0087	1
TR912	TRANSISTOR 2SD668A-C	HTD0100	1
TR920	TRANSISTOR 2SA778AK	HTA0104	1
TR921	TRANSISTOR 2SA781K	HTA0099	1
TR1006	TRANSISTOR 2SC1061C	HTC0032	1

## ELECTRICAL REPLACEABLE PARTS LIST CABINET

Simbol	Description	Code	Q'ty
F1401	FUSE MF61NM 2 (2A 250 V)JIS	EFG0352	1
FH1401	TERMINAL S-17221 (100/120/220/240V)	HX3142147	1
L1401	COIL V-550	HX3142116	1
J1410	CONNECTOR CM3 (C-170)	JJC0026	1
RV551	VR,WIRE MF220D 2KOHM	RXM0009	1
RV1401	VR,CARBON EVM-R7GS20B26	RDE0028	1
TP1401	TERMINAL BLK	HX4114183	1
TP1402	TERMINAL Z-048	HX8338351	1
T1401	XFMR POWER XFMR FOR V-1050	H 3159329	1
V1401	CRT 150BNB31	H 3159317	1



## MECHANICAL REPLACEABLE PARTS LIST

Symbol	Description	Code	Q'ty	Remarks
1	Cover	288054-A	1	
2	Cover, bottom	3149269-A	1	
3	Chassis, front	117473-AA	1	
4	Chassis, rear	294969-AA	1	
5	Chassis	294970-A	1	
6	Angle	3149270-A	1	
7	Angle	3149271-AA	1	
8	Angle	3159618-AA	1	
9	Angle	3149273-AA	1	
11	CRT band	3159619-A	2	
12	Plate, shield	3159620-A	1	
13	Bracket, support	8338296-A	1	
14	Bracket, PEF498	8353484-A	1	
15	Bracket, PEF499	3159621-A	1	
16	Bracket	8330677-A	1	
17	Plate, shield	8330678-A	1	
18	Bracket, LSW	3159622-A	1	
19	Bracket, LSW	8353485-A	1	
20	Bracket, LSW	8353486-A	1	
21	Plate, shield	8338330-A	1	
22	HV case	8353487-AA	1	
23	Plate	8330684-A	1	
24	Plate	3149278-A	2	
26	Plate, shield	8364165-A	1	
27	Plate, earth	8360706-A	2	
28	Bracket, MD	8345458-A	1	
29	Heat sink	8355595-A	1	
30	Chassis, PEF504	8353489-A	1	
32	Spacer, BNC	8360673-A	2	
41	Screw Plate	8345476-A	2	

Symbol	Description	Code	Q'ty	Remarks
51	Shield band	8316268-B	1	
52	Shield case	3159625-A	1	
53	Handle	3156107-A	1	
54	Lock, handle	8345467-A	2	
56	Panel, front	294971-B	1	
57	Panel, rear	3159623~24-A	1	
59	Bezel	288060-A	1	
60	Cover, side	3149315-A	2	
62	Foot, rear	3149317-A	4	
63	Foot	3140755-A	4	
64	Bush	ERR0073	1	B-312-250
65	Spacer	Xci0097	2	PS-4N(6.4H)
66	Filter	3149318-A	1	
67	Plate	8353491-A	1	
68	Plate	8364166-A	1	
69	Rubber	8322428-B	1	
71	Cushion	8330711-B	2	
72	Cushion	8330711-F	1	
73	Knob	3149319-A	1	AT
74	Knob	3149320-A	1	BT
75	Knob	3149321-A	6	S18
76	Knob	3149322-B	1	S24
77	Knob	3149323-A	2	URV
78	Knob	3149324-A	4	S18B
79	Knob	3122685-D	2	0022
80	Knob	3149325-B	6	LSW
81	Knob	3149324-B	1	S18B-N
82	Label	8316162-A	1	SER.No.
83	Rivet	8340163-B	4	No.1027
84	Rivet	8340164-A	4	No.113

Symbol	Description	Code	Q'ty	Remarks
85	Support	8360723-A	10	LCBS-3NS
86	Support	8360723-G	4	LCBS-14NS
87	Bush	8340166-A	1	CE-012
88	Bush	ERR0010	1	CSG-012
91	Knob	8353492-A	1	P
92	Rubber	8353493-A	1	
93	Rubber	8353494-A	2	
94	Band	8353501-G	1	
95	Guide, cable	8353502-A	2	No. 249
96	Guide, cable	8353502-B	1	No. 1219
98	Label; HV caution	849085	1	
301	Screw, sems (Sw·w)	XCA0661	14	M3 × 8
302	Screw, sems (Sw)	XCA1319	6	M4 × 12
303	Screw, sems (Sw·w)	8340167-C	4	M4 × 20
306	Screw	XCA6205	7	M2 × 5
307	Screw	XCA6306	6	M3 × 6
308	Screw	XCA6308	27	M3 × 8
309	Screw	XCA6312	9	M3 × 12
311	Screw	XCA6410	4	M4 × 10
313	Screw, black	XCA1820	4	M3 × 10
318	Screw	XCA0782	4	M2.6 × 4
316	Screw, flat	XCA7306	28	M3 × 6
401	Washer, spring	XCA1879	8	M3
402	Washer, spring	XCA1881	2	M4
403	Washer	XCA1855	8	M3
404	Washer	XCA1857	2	M4
405	Nut	XCA1706	8	M3
406	Nut	XCA1707	2	M4